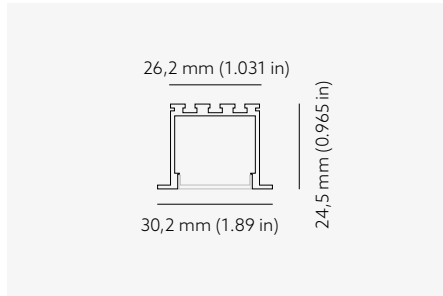


A019x

SPECIFICATION SHEET



Project

Date

Quantity

Notes

ORDER CODE

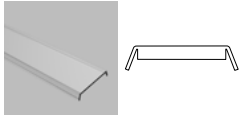
MODEL	SEGMENT	WIRE EXIT	LED ALIGN	COLOR	COVER	LED SOURCE	WATTAGE	CRI	CCT	SEGMENT LENGTH	CONNECTOR
A019X											

SEGMENT	L Individual	S start	M middle	E end	F full																																																																																																																																																																									
WIRE EXIT	E end	B back	S side																																																																																																																																																																											
LED ALIGN	C center	L left	R right																																																																																																																																																																											
COLOR	AGY anodized gray 	PWE painted white 	PBK painted black 	CUSTOM contact sales 																																																																																																																																																																										
COVER	PRM.A016x.C03.CLR clear		PRM.A016x.C03.OPL opal																																																																																																																																																																											
LED SOURCE	FL56/Nx G4 static white cutting increment 125 mm (4.92")	FL56/Dx G4 static white 125 mm (4.92")	FL112/Nx G4 static white 62,5 mm (2.46")	FL112/Dx G4 static white 62,5 mm (2.46")	TW70/Nx G4 tunable white 100 mm (3.93")	TW70/Dx G4 tunable white 100 mm (3.93")	TW2-112/Nx G4 dual tunable white 62,5 mm (2.46")	RGB96/Nx G4 RGB 62,5 mm (2.46")	RGBW48/Nx G4 RGB+W 125 mm (4.92")																																																																																																																																																																					
WATTAGE	1 1,2W/m (0,37W/ft) static white	2 2,4 W/m (0,7 W/ft) static white	4 4,8 W/m (1,5 W/ft) static white	7,2 7,2 W/m (2,1 W/ft) RGB	9 9,6 W/m (2,9 W/ft) static white, TW, TW2, RGB, RGBW	11 11,52 W/m (3,5 W/ft) 14,4 W/m (4,4 W/ft) static white, RGB, RGBW	14 14,4 W/m (4,4 W/ft) static white, RGB, RGBW	18 18,2 W/m (5,54 W/ft) static white, TW	19 19,2 W/m (5,8 W/ft) static white, RGBW, static white, TW, TW2	24 24 W/m (7,3 W/ft)	33 33,4 W/m (10,2 W/ft) static white, TW, TW2																																																																																																																																																																			
CRI	8 CRI 80+	9 CRI 90+	0 CRI 95+ *for FL56/Nx G4, FL112/Nx G4, RGBW48/Nx G4 only																																																																																																																																																																											
CCT	20 2000K *for Nx LED strip only	22 2200K	25 2500K *for Nx LED strip only	27 2700K	30 3000K	35 3500K	40 4000K	50 5000K	57 5700K	65 6500K																																																																																																																																																																				
SEGMENT LENGTH	For 62,5mm (2.46") LED strip cutting increment <table border="1"> <thead> <tr> <th>in</th> <th>4.9"</th> <th>7.4"</th> <th>9.8"</th> <th>1'0.3"</th> <th>1'2.8"</th> <th>1'5.2"</th> <th>1'7.7"</th> <th>1'10"</th> <th>2'0.6"</th> <th>2'3.1"</th> <th>2'5.5"</th> <th>2'8"</th> <th>2'10"</th> <th>3'0.9"</th> <th>3'3.4"</th> <th>3'5.9"</th> <th>3'8.3"</th> <th>3'11"</th> <th>4'1.2"</th> <th>4'3.7"</th> <th>4'6.1"</th> <th>4'8.6"</th> <th>4'11"</th> <th>5'1.5"</th> </tr> </thead> <tbody> <tr> <td>mm</td> <td>125</td> <td>188</td> <td>250</td> <td>313</td> <td>375</td> <td>438</td> <td>500</td> <td>563</td> <td>625</td> <td>688</td> <td>750</td> <td>813</td> <td>875</td> <td>938</td> <td>1000</td> <td>1063</td> <td>1125</td> <td>1188</td> <td>1250</td> <td>1313</td> <td>1375</td> <td>1438</td> <td>1500</td> <td>1563</td> </tr> </tbody> </table> For 125mm (4.92") LED strip cutting increment <table border="1"> <thead> <tr> <th>in</th> <th>4.9"</th> <th>9.8"</th> <th>1'2.8"</th> <th>1'7.7"</th> <th>2'0.6"</th> <th>2'5.5"</th> <th>2'10"</th> <th>3'3.4"</th> <th>3'8.3"</th> <th>4'1.2"</th> <th>4'6.1"</th> <th>4'11"</th> <th>5'4"</th> <th>5'8.9"</th> <th>6'1.8"</th> <th>6'6.7"</th> <th>6'12"</th> <th>7'4.6"</th> <th>7'9.5"</th> <th>8'2.4"</th> <th>8'7.3"</th> <th>8'12"</th> <th>9'0.3"</th> <th>9'5.2"</th> <th>9'10"</th> </tr> </thead> <tbody> <tr> <td>mm</td> <td>125</td> <td>250</td> <td>375</td> <td>500</td> <td>625</td> <td>750</td> <td>875</td> <td>1000</td> <td>1125</td> <td>1250</td> <td>1375</td> <td>1500</td> <td>1625</td> <td>1750</td> <td>1875</td> <td>2000</td> <td>2125</td> <td>2250</td> <td>2375</td> <td>2500</td> <td>2625</td> <td>2750</td> <td>2875</td> <td>3000</td> </tr> </tbody> </table> For 100mm (3.94") LED strip cutting increment <table border="1"> <thead> <tr> <th>in</th> <th>7.9"</th> <th>12"</th> <th>1'3.7"</th> <th>1'7.7"</th> <th>1'12"</th> <th>2'3.6"</th> <th>2'7.5"</th> <th>2'11"</th> <th>3'3.4"</th> <th>3'7.3"</th> <th>3'11"</th> <th>4'3.2"</th> <th>4'7.1"</th> <th>4'11"</th> <th>5'3"</th> <th>5'6.9"</th> <th>5'11"</th> <th>6'2.8"</th> <th>6'6.7"</th> <th>6'11"</th> <th>7'2.6"</th> <th>7'6.6"</th> <th>7'10"</th> <th>8'2.4"</th> </tr> </thead> <tbody> <tr> <td>mm</td> <td>200</td> <td>300</td> <td>400</td> <td>500</td> <td>600</td> <td>700</td> <td>800</td> <td>900</td> <td>1000</td> <td>1100</td> <td>1200</td> <td>1300</td> <td>1400</td> <td>1500</td> <td>1600</td> <td>1700</td> <td>1800</td> <td>1900</td> <td>2000</td> <td>2100</td> <td>2200</td> <td>2300</td> <td>2400</td> <td>2500</td> </tr> </tbody> </table> <table border="1"> <thead> <tr> <th>in</th> <th>8'6.4"</th> <th>8'10"</th> <th>9'2.2"</th> <th>9'6.2"</th> <th>9'10"</th> </tr> </thead> <tbody> <tr> <td>mm</td> <td>2600</td> <td>2700</td> <td>2800</td> <td>2900</td> <td>3000</td> </tr> </tbody> </table>											in	4.9"	7.4"	9.8"	1'0.3"	1'2.8"	1'5.2"	1'7.7"	1'10"	2'0.6"	2'3.1"	2'5.5"	2'8"	2'10"	3'0.9"	3'3.4"	3'5.9"	3'8.3"	3'11"	4'1.2"	4'3.7"	4'6.1"	4'8.6"	4'11"	5'1.5"	mm	125	188	250	313	375	438	500	563	625	688	750	813	875	938	1000	1063	1125	1188	1250	1313	1375	1438	1500	1563	in	4.9"	9.8"	1'2.8"	1'7.7"	2'0.6"	2'5.5"	2'10"	3'3.4"	3'8.3"	4'1.2"	4'6.1"	4'11"	5'4"	5'8.9"	6'1.8"	6'6.7"	6'12"	7'4.6"	7'9.5"	8'2.4"	8'7.3"	8'12"	9'0.3"	9'5.2"	9'10"	mm	125	250	375	500	625	750	875	1000	1125	1250	1375	1500	1625	1750	1875	2000	2125	2250	2375	2500	2625	2750	2875	3000	in	7.9"	12"	1'3.7"	1'7.7"	1'12"	2'3.6"	2'7.5"	2'11"	3'3.4"	3'7.3"	3'11"	4'3.2"	4'7.1"	4'11"	5'3"	5'6.9"	5'11"	6'2.8"	6'6.7"	6'11"	7'2.6"	7'6.6"	7'10"	8'2.4"	mm	200	300	400	500	600	700	800	900	1000	1100	1200	1300	1400	1500	1600	1700	1800	1900	2000	2100	2200	2300	2400	2500	in	8'6.4"	8'10"	9'2.2"	9'6.2"	9'10"	mm	2600	2700	2800	2900	3000
in	4.9"	7.4"	9.8"	1'0.3"	1'2.8"	1'5.2"	1'7.7"	1'10"	2'0.6"	2'3.1"	2'5.5"	2'8"	2'10"	3'0.9"	3'3.4"	3'5.9"	3'8.3"	3'11"	4'1.2"	4'3.7"	4'6.1"	4'8.6"	4'11"	5'1.5"																																																																																																																																																						
mm	125	188	250	313	375	438	500	563	625	688	750	813	875	938	1000	1063	1125	1188	1250	1313	1375	1438	1500	1563																																																																																																																																																						
in	4.9"	9.8"	1'2.8"	1'7.7"	2'0.6"	2'5.5"	2'10"	3'3.4"	3'8.3"	4'1.2"	4'6.1"	4'11"	5'4"	5'8.9"	6'1.8"	6'6.7"	6'12"	7'4.6"	7'9.5"	8'2.4"	8'7.3"	8'12"	9'0.3"	9'5.2"	9'10"																																																																																																																																																					
mm	125	250	375	500	625	750	875	1000	1125	1250	1375	1500	1625	1750	1875	2000	2125	2250	2375	2500	2625	2750	2875	3000																																																																																																																																																						
in	7.9"	12"	1'3.7"	1'7.7"	1'12"	2'3.6"	2'7.5"	2'11"	3'3.4"	3'7.3"	3'11"	4'3.2"	4'7.1"	4'11"	5'3"	5'6.9"	5'11"	6'2.8"	6'6.7"	6'11"	7'2.6"	7'6.6"	7'10"	8'2.4"																																																																																																																																																						
mm	200	300	400	500	600	700	800	900	1000	1100	1200	1300	1400	1500	1600	1700	1800	1900	2000	2100	2200	2300	2400	2500																																																																																																																																																						
in	8'6.4"	8'10"	9'2.2"	9'6.2"	9'10"																																																																																																																																																																									
mm	2600	2700	2800	2900	3000																																																																																																																																																																									
CONNECTOR	NON no connectors		PH1 connector																																																																																																																																																																											

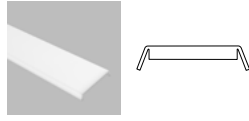


COVERS

PRG.A016X.C03.CLR
clear

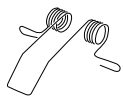


PRG.A016X.C03.OPL
opal

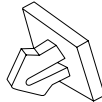


BRACKETS

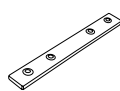
PRG.A019X.F01.GZK
metal



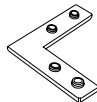
PRG.A015X.F04.RWE
plastic



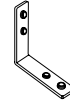
PRG.A017X.PRT.00004
metal



PRG.A017X.PRT.00006
metal



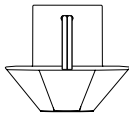
PRG.A017X.PRT.00005
metal



WIRE

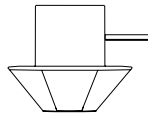
E - END EXIT WIRE

wire comes out from profile through endcap



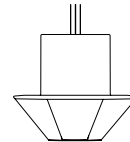
S - SIDE EXIT WIRE

wire through a hole on the side of the profile



B - BACK EXIT WIRE

wire through a hole on the back of the profile



SEGMENTS

INDIVIDUAL LUMINAIRE

Comes as individual luminaire with a connection to the power supply.

L - LUMINAIRE



Endcaps on both ends
Input wire with male connector, no output wire
Module length = **LENGTH** + 16mm (0,62") - end wire exit
Module length = **LENGTH** + 12mm (0,47") - back, side wire exit

CONTINUOUS LINE

Connecting LED modules to a continuous line, no connection mark is visible between the modules.

S - START MODULE



Endcap on single end only
Input wire with male connector, output with female
Module length = **LENGTH** + 7mm(0,27")

M - MIDDLE MODULE



No endcaps on both ends
Input wire with male connector, output with female
Module length = **LENGTH** + 2 mm (0,07")

E - END MODULE



Endcap on single end only
Input wire with male connector, no output cable
Module length = **LENGTH** + 7mm(0,27")

FULL SET INSTALLATION

Connecting the LED module to a line connection endcaps are visible, no continuous light line is obtained.

F - FULL SET MODULE



Endcap on both ends
Input wire with male connector, output female
Module length = **LENGTH** + 20mm (0,78") - end wire exit
Module length = **LENGTH** + 12mm (0,47") - back, side wire exit

F - FULL SET MODULE

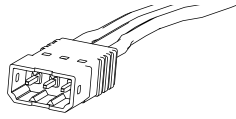


L - LUMINAIRE or F - FULL SET MODULE

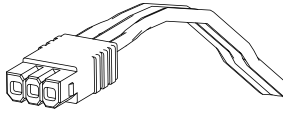


WIRE

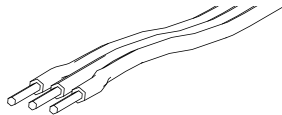
PH1M - MALE CONNECTOR
for indoor use only



PH1F - FEMALE CONNECTOR
for indoor use only



NON - NO CONNECTORS (LEAD WIRES END)
any connector can be applied



CONNECTOR DIMENSIONS		MALE		FEMALE	
WHITE	Length	0.61"	15.5 mm	0.59"	15 mm
	Width	0.263"	6.7 mm	0.24"	6.1 mm
	Height	0.196"	5 mm	0.196"	5 mm
TW	Length	0.61"	15.5 mm	0.59"	15 mm
	Width	0.362"	9.2 mm	0.338"	8.6 mm
3-PIN	Height	0.196"	5 mm	0.196"	5 mm
	Length	0.61"	15.5 mm	0.59"	15 mm
RGB	Width	0.648"	16.5 mm	0.437"	11.1 mm
	Height	0.204"	5.2 mm	0.196"	5 mm
4-PIN	Length	0.61"	15.5 mm	0.59"	15 mm
	Width	0.559"	14.2 mm	0.535"	13.6 mm
5-PIN	Height	0.196"	5 mm	0.196"	5 mm

LEAD CABLES

Lead-wire cables are used to connect the LED module to the power supply unit.

FOR WHITE LEDS
HR 2PIN P1M.NON LXXX



FOR WHITE LEDS
HR 2PIN P1M.P1F LXXXX



FOR TUNABLE WHITE LEDS
HR 3PIN P1M.NON LXXX



FOR TUNABLE WHITE LEDS
HR 3PIN P1M.P1F LXXXX



FOR RGB LEDS
HR 4PIN P1M.NON LXXX



FOR RGB LEDS
HR 4PIN P1M.P1F LXXXX



FOR RGB+W LEDS
HR 5PIN P1M.NON LXXX



FOR RGB+W LEDS
HR 5PIN P1M.P1F LXXXX



EXTENSION CABLES LENGTHS

LXXX	L200	L1000	L2000	L5000	L9000
LENGTH	200 mm 7.9 in	1000 mm 3 ft 3 in	2000 mm 6 ft 6 in	5000 mm 16 ft 4 in	9000 mm 29 ft 5 in

Possible allowed deviation of optical and electrical values are ±15%. Allowed measurement uncertainty ±7%.
All values in datasheet are for reference only and customers should take these values on their own risk. Holectron reserves the right for changes without prior notice.
www.holectron.com | Customizable Linear LED Lighting Products

LUMEN VALUES OF LED STRIPS

FL56/DX G5 - WHITE LIGHT



CRI 80+		POWER											
SPECTRUM	KELVINS	1,2 W/m	0.37 W/ft	2,4 W/m	0.73 W/ft	4,8 W/m	1.46 W/ft	9,6 W/m	2.92 W/ft	14,4 W/m	4.3 W/m	18,2 W/m	5.5 W/ft
		lm/m	lm/ft	lm/m	lm/ft	lm/m	lm/ft	lm/m	lm/ft	lm/m	lm/ft	lm/m	lm/ft
		1		2		4		9		14		18	
822	2200K	-		284	86	555	169	1097	334	1605	489	1995	607
827	2700K	-		323	98	632	192	1249	380	1829	557	2270	691
830	3000K	-		323	98	632	192	1249	380	1829	557	2270	691
835	3500K	-		343	104	671	204	1326	404	1937	590	2405	732
840	4000K	-		343	104	671	204	1326	404	1937	590	2405	732
850	5000K	-		362	110	708	216	1400	426	2050	624	2544	775
857	5700K	-		362	110	708	216	1400	426	2050	624	2544	775
865	6500K	-		362	110	708	216	1400	426	2050	624	2544	775
EFFICACY				151 lm/W		148 lm/W		146 lm/W		142 lm/W		140 lm/W	

CRI 90+		POWER											
SPECTRUM	KELVINS	1,2 W/m	0.37 W/ft	2,4 W/m	0.73 W/ft	4,8 W/m	1.46 W/ft	9,6 W/m	2.92 W/ft	14,4 W/m	4.3 W/m	18,2 W/m	5.5 W/ft
		lm/m	lm/ft	lm/m	lm/ft	lm/m	lm/ft	lm/m	lm/ft	lm/m	lm/ft	lm/m	lm/ft
		1		2		4		9		14		18	
922	2200K	-		230	70	457	139	886	270	1294	394	1606	490
T927	2700K	-		336	102	666	203	1299	396	2010	612	2511	651
T930	3000K	-		341	104	672	205	1316	401	2112	643	2638	669
T935	3500K	-		341	104	677	206	1321	402	2166	660	2706	685
T940	4000K	-		352	107	694	211	1349	411	2196	669	2743	692
T950	5000K	-		352	107	694	211	1349	411	2211	673	2765	734
T957	5700K	-		341	104	677	206	1321	402	2134	650	2668	730
T965	6500K	-		341	104	677	206	1321	402	2134	650	2668	725
EFFICACY				147 lm/W		145 lm/W		141 lm/W		137 lm/W		135 lm/W	

Possible allowed deviation of optical and electrical values are ±15%. Allowed measurement uncertainty ±7%.
 All values in datasheet are for reference only and customers should take these values on their own risk. Holectron reserves the right for changes without prior notice.
www.holectron.com | Customizable Linear LED Lighting Products

LUMEN VALUES OF LED STRIPS

FL56/NX G5 - WHITE LIGHT



CRI 80+		POWER											
SPECTRUM	KELVINS	1,2 W/m	0,37 W/ft	2,4 W/m	0,73 W/ft	4,8 W/m	1,46 W/ft	9,6 W/m	2,92 W/ft	14,4 W/m	4,38 W/ft	18,2 W/m	5,54 W/ft
		1	2	4	9	14	18						
		lm/m	lm/ft	lm/m	lm/ft	lm/m	lm/ft	lm/m	lm/ft	lm/m	lm/ft	lm/m	lm/ft
820	2000K	-	-	245	75	501	153	1010	308	1490	454	1852	564
822	2200K	-	-	265	81	542	165	1093	333	1612	491	2003	610
825	2500K	-	-	290	88	593	181	1196	364	1765	537	2193	668
827	2700K	-	-	339	103	694	211	1399	426	2064	628	2565	781
830	3000K	-	-	350	107	714	217	1441	439	2126	647	2641	804
835	3500K	-	-	358	109	731	223	1474	449	2174	662	2702	823
840	4000K	-	-	359	109	733	223	1478	450	2180	664	2709	825
850	5000K	-	-	394	120	781	238	1535	467	2262	689	2825	860
857	5700K	-	-	380	116	754	230	1481	451	2182	664	2726	830
865	6500K	-	-	380	116	754	230	1481	451	2182	664	2726	830
EFFICACY				164 lm/W		163 lm/W		160 lm/W		157 lm/W		155 lm/W	

CRI 90+		POWER											
SPECTRUM	KELVINS	1,2 W/m	0,37 W/ft	2,4 W/m	0,73 W/ft	4,8 W/m	1,46 W/ft	9,6 W/m	2,92 W/ft	14,4 W/m	4,38 W/ft	18,2 W/m	5,54 W/ft
		1	2	4	9	14	18						
		lm/m	lm/ft	lm/m	lm/ft	lm/m	lm/ft	lm/m	lm/ft	lm/m	lm/ft	lm/m	lm/ft
920	2000K	-	-	212	65	420	128	818	249	1196	365	1484	452
922	2200K	-	-	230	70	454	138	885	270	1294	394	1606	490
925	2500K	-	-	249	76	493	150	960	293	1403	428	1742	531
T927	2700K	-	-	350	107	695	212	1364	415	2010	612	2511	651
T930	3000K	-	-	368	112	730	222	1434	437	2112	643	2638	669
T935	3500K	-	-	377	115	748	228	1470	448	2166	660	2706	685
T940	4000K	-	-	383	117	759	231	1491	454	2196	669	2743	692
T950	5000K	-	-	384	117	762	232	1499	456	2211	673	2765	734
T957	5700K	-	-	370	113	735	224	1446	440	2134	650	2668	730
T965	6500K	-	-	370	113	735	224	1446	440	2134	650	2668	725
EFFICACY				160 lm/W		159 lm/W		156 lm/W		154 lm/W		152 lm/W	

CRI 95+		POWER											
SPECTRUM	KELVINS	1,2 W/m	0,37 W/ft	2,4 W/m	0,73 W/ft	4,8 W/m	1,46 W/ft	9,6 W/m	2,92 W/ft	14,4 W/m	4,38 W/ft	18,2 W/m	5,54 W/ft
		1	2	4	9	14	18						
		lm/m	lm/ft	lm/m	lm/ft	lm/m	lm/ft	lm/m	lm/ft	lm/m	lm/ft	lm/m	lm/ft
027	2700K	-	-	245	75	486	148	950	290	1388	423	1724	525
030	3000K	-	-	250	76	497	151	971	296	1419	433	1762	537
035	3500K	-	-	256	78	507	155	992	302	1449	442	1799	548
040	4000K	-	-	259	79	514	157	1004	306	1468	447	1822	555
050	5000K	-	-	277	84	550	168	1079	329	1580	482	1965	599
EFFICACY				115 lm/W		115 lm/W		112 lm/W		110 lm/W		108 lm/W	

Possible allowed deviation of optical and electrical values are $\pm 15\%$. Allowed measurement uncertainty $\pm 7\%$.
 All values in datasheet are for reference only and customers should take these values on their own risk. Holectron reserves the right for changes without prior notice.
www.holectron.com | Customizable Linear LED Lighting Products

LUMEN VALUES OF LED STRIPS

FL112/DX G5 - WHITE LIGHT



CRI 80+		POWER															
SPECTRUM	KELVINS	1,92 W/m	0.6 W/ft	2.4 W/m	0.7 W/ft	4.8 W/m	1.5 W/ft	9.6 W/m	2.9 W/ft	14.4 W/m	4.4 W/ft	19.2 W/m	5.8 W/ft	24 W/m	7.3 W/ft	33.6 W/m	10.02 W/ft
		1	2	4	9	14	19	24	33								
		lm/m	lm/ft	lm/m	lm/ft	lm/m	lm/ft	lm/m	lm/ft	lm/m	lm/ft	lm/m	lm/ft	lm/m	lm/ft	lm/m	lm/ft
822	2200K	-	-	568	173	1111	338	1653	503	2194	668	2728	831	3698	1127		
827	2700K	-	-	647	197	1267	386	1882	573	2499	761	3102	945	4207	1282		
830	3000K	-	-	647	197	1267	386	1882	573	2499	761	3102	945	4207	1282		
835	3500K	-	-	686	209	1342	409	1997	608	2652	808	3292	1002	4457	1358		
840	4000K	-	-	686	209	1342	409	1997	608	2652	808	3292	1002	4457	1358		
850	5000K	-	-	724	220	1416	431	2108	642	2800	853	3483	1061	4716	1437		
857	5700K	-	-	724	220	1416	431	2108	642	2800	853	3483	1061	4716	1437		
865	6500K	-	-	724	220	1416	431	2108	642	2800	853	3483	1061	4716	1437		
EFFICACY				151 lm/W		148 lm/W		146 lm/W		146 lm/W		145 lm/W		141 lm/W			

CRI 90+		POWER															
SPECTRUM	KELVINS	1,92 W/m	0.6 W/ft	2.4 W/m	0.7 W/ft	4.8 W/m	1.5 W/ft	9.6 W/m	2.9 W/ft	14.4 W/m	4.4 W/ft	19.2 W/m	5.8 W/ft	24 W/m	7.3 W/ft	33.6 W/m	10.02 W/ft
		1	2	4	9	14	19	24	33								
		lm/m	lm/ft	lm/m	lm/ft	lm/m	lm/ft	lm/m	lm/ft	lm/m	lm/ft	lm/m	lm/ft	lm/m	lm/ft	lm/m	lm/ft
922	2200K	-	-	460	140	915	279	1346	410	1772	540	2188	667	2968	905		
T927	2700K	-	-	672	205	1332	406	1971	600	2598	791	3203	975	4368	1330		
T930	3000K	-	-	683	208	1344	409	1993	607	2632	801	3248	989	4424	1347		
T935	3500K	-	-	683	208	1355	413	2004	610	2643	805	3270	996	4457	1357		
T940	4000K	-	-	705	215	1388	423	2049	624	2699	822	3337	1016	4547	1385		
T950	5000K	-	-	705	215	1388	423	2049	624	2699	822	3337	1016	4547	1385		
T957	5700K	-	-	683	208	1355	413	2004	610	2643	805	3270	996	4457	1357		
T965	6500K	-	-	683	208	1355	413	2004	610	2643	805	3270	996	4457	1357		
EFFICACY				147 lm/W		145 lm/W		142 lm/W		141 lm/W		139 lm/W		136 lm/W			

Possible allowed deviation of optical and electrical values are ±15%. Allowed measurement uncertainty ±7%. All values in datasheet are for reference only and customers should take these values on their own risk. Holectron reserves the right for changes without prior notice.

LUMEN VALUES OF LED STRIPS

FL112/NX G5 - WHITE LIGHT



CRI 80+		POWER															
SPECTRUM	KELVINS	1.92 W/m	0.6 W/ft	2.4 W/m	0.7 W/ft	4.8 W/m	1.5 W/ft	9.6 W/m	2.9 W/ft	14.4 W/m	4.4 W/ft	19.2 W/m	5.8 W/ft	24 W/m	7.3 W/ft	33.6 W/m	10.02 W/ft
		1	2	4	9	14	19	24	33								
		lm/m	lm/ft	lm/m	lm/ft	lm/m	lm/ft	lm/m	lm/ft	lm/m	lm/ft	lm/m	lm/ft	lm/m	lm/ft	lm/m	lm/ft
820	2000K	-	-	490	149	1002	305	1516	462	2021	615	2509	764	3436	1046		
822	2200K	-	-	531	162	1084	330	1640	499	2186	666	2715	827	3718	1132		
825	2500K	-	-	581	177	1187	361	1796	547	2393	729	2972	905	4070	1239		
827	2700K	-	-	679	207	1388	423	2100	639	2799	852	3476	1058	4760	1449		
830	3000K	-	-	700	213	1429	435	2162	658	2882	878	3579	1090	4901	1492		
835	3500K	-	-	716	218	1462	445	2212	674	2948	898	3662	1115	5014	1526		
840	4000K	-	-	718	219	1466	446	2218	675	2957	900	3672	1118	5028	1531		
850	5000K	-	-	789	240	1563	476	2324	708	3070	935	3804	1158	5232	1593		
857	5700K	-	-	761	232	1508	459	2242	683	2963	902	3670	1118	5048	1537		
865	6500K	-	-	761	232	1508	459	2242	683	2963	902	3670	1118	5048	1537		
EFFICACY				164 lm/W		163 lm/W		161 lm/W		160 lm/W		159 lm/W		156 lm/W			

CRI 90+		POWER															
SPECTRUM	KELVINS	1.92 W/m	0.6 W/ft	2.4 W/m	0.7 W/ft	4.8 W/m	1.5 W/ft	9.6 W/m	2.9 W/ft	14.4 W/m	4.4 W/ft	19.2 W/m	5.8 W/ft	24 W/m	7.3 W/ft	33.6 W/m	10.02 W/ft
		1	2	4	9	14	19	24	33								
		lm/m	lm/ft	lm/m	lm/ft	lm/m	lm/ft	lm/m	lm/ft	lm/m	lm/ft	lm/m	lm/ft	lm/m	lm/ft	lm/m	lm/ft
920	2000K	-	-	425	130	840	256	1244	379	1637	499	2020	616	2755	840		
922	2200K	-	-	465	142	908	277	1346	410	1771	540	2185	666	2980	908		
925	2500K	-	-	499	152	986	301	1460	445	1921	586	2370	722	3233	985		
T927	2700K	-	-	701	213	1390	423	2065	629	2729	831	3381	1030	4650	1416		
T930	3000K	-	-	737	224	1460	445	2170	661	2868	873	3552	1082	4886	1488		
T935	3500K	-	-	755	230	1497	456	2226	678	2941	896	3643	1109	5011	1526		
T940	4000K	-	-	766	233	1518	462	2257	687	2982	908	3694	1125	5080	1547		
T950	5000K	-	-	768	234	1524	464	2268	691	2999	913	3717	1132	5119	1559		
T957	5700K	-	-	741	226	1470	448	2188	666	2893	881	3586	1092	4938	1504		
T965	6500K	-	-	741	226	1470	448	2188	666	2893	881	3586	1092	4938	1504		
EFFICACY				160 lm/W		159 lm/W		158 lm/W		156 lm/W		155 lm/W		152 lm/W			

CRI 95+		POWER															
SPECTRUM	KELVINS	1.92 W/m	0.6 W/ft	2.4 W/m	0.7 W/ft	4.8 W/m	1.5 W/ft	9.6 W/m	2.9 W/ft	14.4 W/m	4.4 W/ft	19.2 W/m	5.8 W/ft	24 W/m	7.3 W/ft	33.6 W/m	10.02 W/ft
		1	2	4	9	14	19	24	33								
		lm/m	lm/ft	lm/m	lm/ft	lm/m	lm/ft	lm/m	lm/ft	lm/m	lm/ft	lm/m	lm/ft	lm/m	lm/ft	lm/m	lm/ft
027	2700K	-	-	491	150	973	296	1443	439	1900	579	2345	714	3199	974		
030	3000K	-	-	501	153	994	303	1475	449	1942	591	2396	730	3269	995		
035	3500K	-	-	512	156	1015	309	1506	459	1984	604	2448	745	3340	1017		
040	4000K	-	-	519	158	1028	313	1525	464	2009	612	2478	755	3382	1029		
050	5000K	-	-	554	169	1101	335	1637	498	2159	657	2667	812	3645	1109		
EFFICACY				115 lm/W		115 lm/W		114 lm/W		112 lm/W		111 lm/W		108 lm/W			

Possible allowed deviation of optical and electrical values are ±15%. Allowed measurement uncertainty ±7%.
 All values in datasheet are for reference only and customers should take these values on their own risk. Holectron reserves the right for changes without prior notice.
www.holectron.com | Customizable Linear LED Lighting Products

LUMEN VALUES OF LED STRIPS

TW70/NX G5 - TUNABLE WHITE LIGHT

CRI 80+		POWER							
SPECTRUM	KELVINS	9,6 W/m		19,2 W/m		33,4 W/m		45,6 W/m	
		lm/m	lm/ft	lm/m	lm/ft	lm/m	lm/ft	lm/m	lm/ft
820/865	2000-6500K	1254	382	2503	762	4301	1310		
825/857	2500-5700K	1346	410	2690	819	4623	1408		
827/857	2700-5700K	1446	440	2893	881	4974	1515		
827/850	2700-5000K	1473	449	2947	897	5067	1543		
827/865	2700-6500K	1446	440	2893	881	4974	1515		
EFFICACY		158 lm/W		158 lm/W		155 lm/W			



CRI 90+		POWER							
SPECTRUM	KELVINS	9,6 W/m		19,2 W/m		33,4 W/m		45,6 W/m	
		lm/m	lm/ft	lm/m	lm/ft	lm/m	lm/ft	lm/m	lm/ft
920/965	2000-6500K	1231	375	2433	741	4158	1266		
925/957	2500-5700K	1239	377	2455	748	4185	1274		
927/950	2700-5000K	1274	388	2519	767	4289	1306		
EFFICACY		146 lm/W		147 lm/W		144 lm/W			

TW70/DX G5 - TUNABLE WHITE LIGHT

CRI 80+		POWER							
SPECTRUM	KELVINS	9,6 W/m		19,2 W/m		33,4 W/m		45,6 W/m	
		lm/m	lm/ft	lm/m	lm/ft	lm/m	lm/ft	lm/m	lm/ft
822/865	2200-6500K	1270	387	2506	763	3592	1094		
827/857	2700-5700K	1347	410	2659	810	4551	1386		
827/850	2700-5000K	1347	410	2659	810	4551	1386		
827/865	2700-6500K	1347	410	2659	810	4551	1386		
EFFICACY		148 lm/W		146 lm/W		143 lm/W			



CRI 90+		POWER							
SPECTRUM	KELVINS	9,6 W/m		19,2 W/m		33,4 W/m		45,6 W/m	
		lm/m	lm/ft	lm/m	lm/ft	lm/m	lm/ft	lm/m	lm/ft
922/965	2200-6500K	1160	353	2256	687	3818	1163		
927/957	2700-5700K	1228	374	2387	727	4042	1231		
927/950	2700-5000K	1194	364	2321	707	3929	1196		
927/965	2700-6500K	1228	374	2387	727	4042	1231		
EFFICACY		143 lm/W		141 lm/W		137 lm/W			

Possible allowed deviation of optical and electrical values are ±15%. Allowed measurement uncertainty ±7%.
 All values in datasheet are for reference only and customers should take these values on their own risk. Holectron reserves the right for changes without prior notice.
 www.holectron.com | Customizable Linear LED Lighting Products

LUMEN VALUES OF LED STRIPS

TW2-112/NX G4 - TUNABLE DUAL WHITE LIGHT

CRI 80+						POWER			
SPECTRUM	KELVINS	9,6 W/m	2.9 W/ft	19,2 W/m	5.9 W/ft	33,6 W/m	10.02 W/ft	48 W/m	14.6 W/ft
		lm/m	lm/ft	lm/m	lm/ft	lm/m	lm/ft		
822/865	2200-6500K	1343	409	2665	811	4524	1378		
	EFFICACY	140 Lm/W		139 Lm/W		135 Lm/W			



LUMEN VALUES OF LED STRIPS

RGB48/NX G5 - RGB LIGHT

RGB	POWER			
	7,2 W/m	2,2 W/ft	11,52 W/m	3,5 W/ft
COLOR	7		11	
	lm/m	lm/ft	lm/m	lm/ft
RED	65	20	104	32
GREEN	208	63	307	93
BLUE	43	13	69	21
TOTAL RGB LUMINOUS FLUX	316	96	480	146
EFFICACY	44 lm/W		42 lm/W	



RGB96/NX G5 - RGB LIGHT

RGB	POWER					
	11,52 W/m	3,5 W/ft	14,4 W/m	4,4 W/ft	23 W/m	7,0 W/ft
COLOR	11		14		23	
	lm/m	lm/ft	lm/m	lm/ft	lm/m	lm/ft
RED	104	32	130	40	209	64
GREEN	306	93	383	117	614	187
BLUE	69	21	87	26	139	42
TOTAL RGB LUMINOUS FLUX	479	146	600	183	962	293
EFFICACY	42 lm/W		42 lm/W		42 lm/W	



RGBW48/NX G5 - RGBW LIGHT

RGBW	POWER							
	9,6 W/m	2,9 W/ft	14,4 W/m	4,4 W/ft	19,2 W/m	5,8 W/ft	24 W/m	7,3 W/ft
COLOR	9		14		19		24	
	lm/m	lm/ft	lm/m	lm/ft	lm/m	lm/ft	lm/m	lm/ft
RED	65	20	98	30	104	32	104	32
GREEN	208	63	287	87	307	93	307	93
BLUE	43	13	65	20	69	21	69	21
TOTAL RGB LUMINOUS FLUX	316	96	450	137	480	146	480	146



CRI 80+		POWER							
SPECTRUM	KELVINS	9,6 W/m	2,9 W/ft	14,4 W/m	4,4 W/ft	19,2 W/m	5,8 W/ft	24 W/m	7,3 W/ft
		9	14	19	24				
		lm/m	lm/ft	lm/m	lm/ft	lm/m	lm/ft	lm/m	lm/ft
820	2000K	210	64	319	97	693	211	1116	340
822	2200K	227	69	345	105	750	228	1208	368
825	2500K	249	76	378	115	821	250	1322	403
827	2700K	291	89	442	135	960	292	1546	471
830	3000K	300	91	455	139	989	301	1592	485
835	3500K	306	93	466	142	1012	308	1629	496
840	4000K	307	93	467	142	1014	309	1633	497
850	5000K	338	103	505	154	1060	323	1692	515
857	5700K	326	99	487	148	1023	312	1633	497
865	6500K	326	99	487	148	1023	312	1633	497
	EFFICACY	141 lm/W		140 lm/W		138 lm/W		136 lm/W	

CRI 90+		POWER							
SPECTRUM	KELVINS	9,6 W/m	2,9 W/ft	14,4 W/m	4,4 W/ft	19,2 W/m	5,8 W/ft	24 W/m	7,3 W/ft
		9	14	19	24				
		lm/m	lm/ft	lm/m	lm/ft	lm/m	lm/ft	lm/m	lm/ft
920	2000K	182	55	271	83	567	173	898	273
922	2200K	197	60	294	90	613	187	971	296
925	2500K	213	65	318	97	665	202	1053	321
T927	2700K	300	91	448	136	942	287	1504	458
T930	3000K	315	96	471	143	990	301	1580	481
T935	3500K	323	98	483	147	1015	309	1621	494
T940	4000K	328	100	490	149	1029	313	1643	500
T950	5000K	329	100	491	150	1035	315	1654	504
T957	5700K	317	97	474	144	998	304	1595	486
T965	6500K	317	97	474	144	998	304	1595	486
	EFFICACY	137 lm/W		136 lm/W		135 lm/W		133 lm/W	

CRI 95+		POWER							
SPECTRUM	KELVINS	9,6 W/m	2,9 W/ft	14,4 W/m	4,4 W/ft	19,2 W/m	5,8 W/ft	24 W/m	7,3 W/ft
		9	14	19	24				
		lm/m	lm/ft	lm/m	lm/ft	lm/m	lm/ft	lm/m	lm/ft
027	2700K	210	64	314	96	658	200	1042	317
030	3000K	215	65	321	98	672	205	1065	324
035	3500K	219	67	328	100	687	209	1088	331
040	4000K	222	68	332	101	695	212	1102	336
050	5000K	237	72	355	108	746	227	1185	361
	EFFICACY	58 lm/W		56 lm/W		64 lm/W		69 lm/W	

Possible allowed deviation of optical and electrical values are ±15%. Allowed measurement uncertainty ±7%. All values in datasheet are for reference only and customers should take these values on their own risk. Holectron reserves the right for changes without prior notice. www.holectron.com | Customizable Linear LED Lighting Products

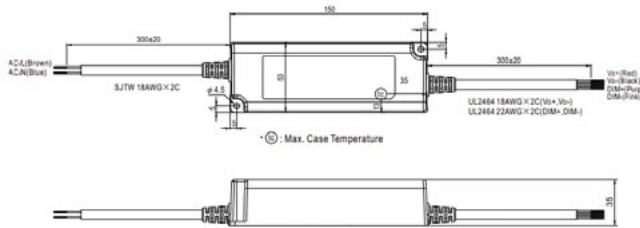
POWER CONSUMPTION PER FIXTURE LENGTH

LENGTH	4,8W/m 1.5W/ft		9,6W/m 2.9W/ft		14,4W/m 4.4W/ft		17,3W/m 5.3W/ft		19,2W/m 5.9W/ft		24W/m 7.3W/ft		33W/m 10W/ft	
	4	9	14	17	19	24	33							
4.9" 125 mm	0.6	0.2	1.2	0.4	1.8	0.5	2.2	0.7	2.4	0.7	3.0	0.9	4.1	1.3
7.4" 188 mm	0.9	0.3	1.8	0.5	2.7	0.8	3.3	1.0	3.6	1.1	4.5	1.4	6.2	1.9
9.8" 250 mm	1.2	0.4	2.4	0.7	3.6	1.1	4.3	1.3	4.8	1.5	6.0	1.8	8.3	2.5
1' 313 mm	1.5	0.5	3.0	0.9	4.5	1.4	5.4	1.6	6.0	1.8	7.5	2.3	10.3	3.1
1' 2" 375 mm	1.8	0.5	3.6	1.1	5.4	1.6	6.5	2.0	7.2	2.2	9.0	2.7	12.4	3.8
1' 5" 438 mm	2.1	0.6	4.2	1.3	6.3	1.9	7.6	2.3	8.4	2.6	10.5	3.2	14.5	4.4
1' 7" 500 mm	2.4	0.7	4.8	1.5	7.2	2.2	8.7	2.6	9.6	2.9	12.0	3.7	16.5	5.0
1' 10" 563 mm	2.7	0.8	5.4	1.6	8.1	2.5	9.7	3.0	10.8	3.3	13.5	4.1	18.6	5.7
2' 625 mm	3.0	0.9	6.0	1.8	9.0	2.7	10.8	3.3	12.0	3.7	15.0	4.6	20.6	6.3
2' 3" 688 mm	3.3	1.0	6.6	2.0	9.9	3.0	11.9	3.6	13.2	4.0	16.5	5.0	22.7	6.9
2' 5" 750 mm	3.6	1.1	7.2	2.2	10.8	3.3	13.0	4.0	14.4	4.4	18.0	5.5	24.8	7.5
2' 8" 813 mm	3.4	1.0	6.8	2.1	10.3	3.1	12.3	3.8	13.7	4.2	17.1	5.2	23.5	7.2
2' 10" 875 mm	4.2	1.3	8.4	2.6	12.6	3.8	15.1	4.6	16.8	5.1	21.0	6.4	28.9	8.8
3' 938 mm	4.5	1.4	9.0	2.7	13.5	4.1	16.2	4.9	18.0	5.5	22.5	6.9	31.0	9.4
3' 3" 1000 mm	4.8	1.5	9.6	2.9	14.4	4.4	17.3	5.3	19.2	5.8	24.0	7.3	33.0	10.0
3' 5" 1063 mm	5.1	1.6	10.2	3.1	15.3	4.7	18.4	5.6	20.4	6.2	25.5	7.8	35.1	10.7
3' 8" 1125 mm	5.4	1.6	10.8	3.3	16.2	4.9	19.5	5.9	21.6	6.6	27.0	8.2	37.1	11.3
3' 10" 1188 mm	5.7	1.7	11.4	3.5	17.1	5.2	20.6	6.3	22.8	6.9	28.5	8.7	39.2	11.9
4' 1" 1250 mm	6.0	1.8	12.0	3.7	18.0	5.5	21.6	6.6	24.0	7.3	30.0	9.1	41.3	12.6
4' 3" 1313 mm	6.3	1.9	12.6	3.8	18.9	5.8	22.7	6.9	25.2	7.7	31.5	9.6	43.3	13.2
4' 6" 1375 mm	6.6	2.0	13.2	4.0	19.8	6.0	23.8	7.2	26.4	8.0	33.0	10.0	45.4	13.8
4' 8" 1438 mm	6.9	2.1	13.8	4.2	20.7	6.3	24.9	7.6	27.6	8.4	34.5	10.5	47.5	14.4
4' 11" 1500 mm	7.2	2.2	14.4	4.4	21.6	6.6	26.0	7.9	28.8	8.8	36.0	11.0	49.5	15.1
5' 1" 1563 mm	7.5	2.3	15.0	4.6	22.5	6.9	27.0	8.2	30.0	9.1	37.5	11.4	51.6	15.7
5' 4" 1625 mm	7.8	2.4	15.6	4.8	23.4	7.1	28.1	8.6	31.2	9.5	39.0	11.9	53.6	16.3
5' 6" 1688 mm	8.1	2.5	16.2	4.9	24.3	7.4	29.2	8.9	32.4	9.9	40.5	12.3	55.7	17.0
5' 9" 1750 mm	8.4	2.6	16.8	5.1	25.2	7.7	30.3	9.2	33.6	10.2	42.0	12.8	57.8	17.6
5' 11" 1813 mm	8.7	2.6	17.4	5.3	26.1	7.9	31.4	9.6	34.8	10.6	43.5	13.2	59.8	18.2
6' 2" 1875 mm	9.0	2.7	18.0	5.5	27.0	8.2	32.4	9.9	36.0	11.0	45.0	13.7	61.9	18.8
6' 4" 1938 mm	9.3	2.8	18.6	5.7	27.9	8.5	33.5	10.2	37.2	11.3	46.5	14.2	64.0	19.5
6' 6" 2000 mm	9.6	2.9	19.2	5.8	28.8	8.8	34.6	10.5	38.4	11.7	48.0	14.6	66.0	20.1
6' 9" 2063 mm	9.9	3.0	19.8	6.0	29.7	9.0	35.7	10.9	39.6	12.1	49.5	15.1	68.1	20.7
6' 11" 2125 mm	10.2	3.1	20.4	6.2	30.6	9.3	36.8	11.2	40.8	12.4	51.0	15.5	70.1	21.4
7' 2" 2188 mm	10.5	3.2	21.0	6.4	31.5	9.6	37.9	11.5	42.0	12.8	52.5	16.0	72.2	22.0
7' 4" 2250 mm	10.8	3.3	21.6	6.6	32.4	9.9	38.9	11.9	43.2	13.2	54.0	16.4	74.3	22.6
7' 7" 2313 mm	11.1	3.4	22.2	6.8	33.3	10.1	40.0	12.2	44.4	13.5	55.5	16.9	76.3	23.2
7' 9" 2375 mm	11.4	3.5	22.8	6.9	34.2	10.4	41.1	12.5	45.6	13.9	57.0	17.4	78.4	23.9
7' 11" 2438 mm	11.7	3.6	23.4	7.1	35.1	10.7	42.2	12.8	46.8	14.3	58.5	17.8	80.5	24.5
8' 2" 2500 mm	12.0	3.7	24.0	7.3	36.0	11.0	43.3	13.2	48.0	14.6	60.0	18.3	82.5	25.1
8' 5" 2563 mm	12.3	3.7	24.6	7.5	36.9	11.2	44.3	13.5	49.2	15.0	61.5	18.7	84.6	25.8
8' 7" 2625 mm	12.6	3.8	25.2	7.7	37.8	11.5	45.4	13.8	50.4	15.3	63.0	19.2	86.6	26.4
8' 10" 2688 mm	12.9	3.9	25.8	7.9	38.7	11.8	46.5	14.2	51.6	15.7	64.5	19.6	88.7	27.0
9' 2750 mm	13.2	4.0	26.4	8.0	39.6	12.1	47.6	14.5	52.8	16.1	66.0	20.1	90.8	27.6
9' 2" 2813 mm	13.5	4.1	27.0	8.2	40.5	12.3	48.7	14.8	54.0	16.4	67.5	20.6	92.8	28.3
9' 5" 2875 mm	13.8	4.2	27.6	8.4	41.4	12.6	49.7	15.1	55.2	16.8	69.0	21.0	94.9	28.9
9' 7" 2938 mm	14.1	4.3	28.2	8.6	42.3	12.9	50.8	15.5	56.4	17.2	70.5	21.5	97.0	29.5
9' 10" 3000 mm	14.4	4.4	28.8	8.8	43.2	13.2	51.9	15.8	57.6	17.5	72.0	21.9	99.0	30.1

Possible allowed deviation of optical and electrical values are ±15%. Allowed measurement uncertainty ±7%.
 All values in datasheet are for reference only and customers should take these values on their own risk. Holectron reserves the right for changes without prior notice.
 www.holectron.com | Customizable Linear LED Lighting Products

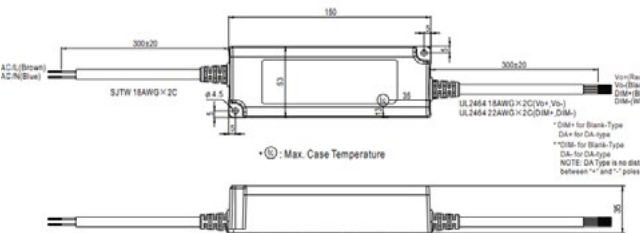
POWER SUPPLIES

POWER SUPPLY MEANWELL PWM-40W 24V IP67



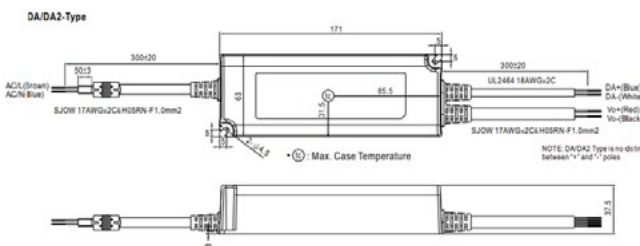
Order code	DRI.V24.OCO.FO.MW.00043
Rated supply voltage	115 - 277 V AC
AC voltage range	90 - 305 V AC
Output voltage	24 V DC
Output power	40 W
Dimming	0-10 V / PWM
IP class	IP67

POWER SUPPLY MEANWELL PWM-60W 24V IP67



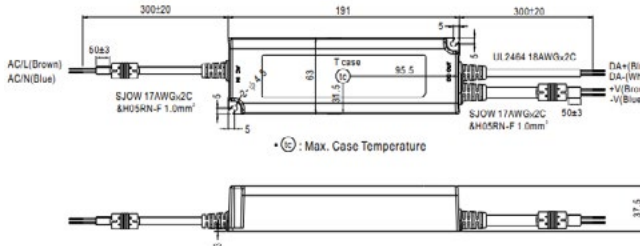
Order code	DRI.V24.OCO.DA.MW.00012
Rated supply voltage	115 - 277 V AC
AC voltage range	90 - 305 V AC
Output voltage	24 V DC
Output power	60 W
Dimming	DALI
IP class	IP67

POWER SUPPLY MEANWELL PWM-90W 24V IP67



Order code	DRI.V24.OCO.DA.MW.00011
Rated supply voltage	115 - 277 V AC
AC voltage range	90 - 305 V AC
Output voltage	24 V DC
Output power	90 W
Dimming	DALI
IP class	IP67

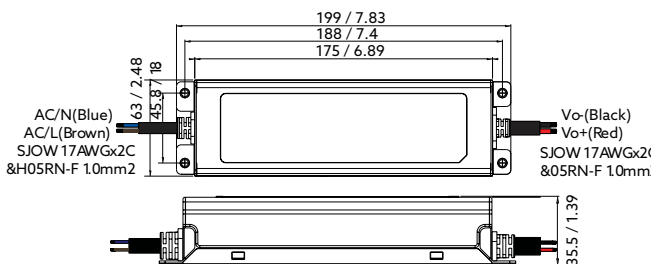
POWER SUPPLY MEANWELL PWM-120W 24V IP67



Order code	DRI.V24.OCO.DA.MW.00006
Rated supply voltage	115 - 277 V AC
AC voltage range	90 - 305 V AC
Output voltage	24 V DC
Output power	120 W
Dimming	DALI
IP class	IP67

POWER SUPPLY 100W 24V IP67

for outdoor and indoor use



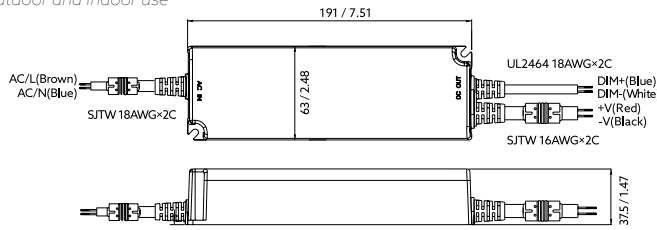
Order code	PSU MW ELG 100W 24V 5Y IP67 UL
Rated supply voltage	100-305 V 50/60 Hz
Output voltage	24 V DC
Output power	70 W (100-180 V AC) 96 W (200-305 V AC)
Dimming	non-dimmable
IP class	IP67

Possible allowed deviation of optical and electrical values are ±15%. Allowed measurement uncertainty ±7%.

All values in datasheet are for reference only and customers should take these values on their own risk. Holectron reserves the right for changes without prior notice.

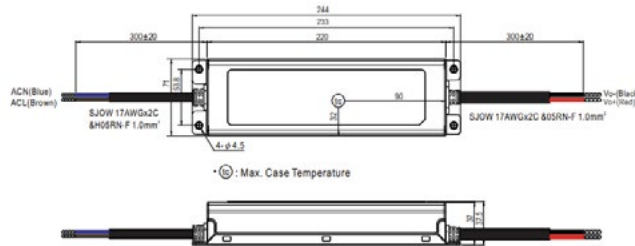
POWER SUPPLY 120W 24V IP67 0-10V

with 0-10V / DALI dimming for outdoor and indoor use



Order code	PSU MW PWM 120W 24V 5Y IP67 UL
Rated supply voltage	90-305 V 50/60 Hz
Output voltage	24 V DC
Output power	120 W
Dimming	0-10V / DALI
IP class	IP67

POWER SUPPLY 240W 24V IP67

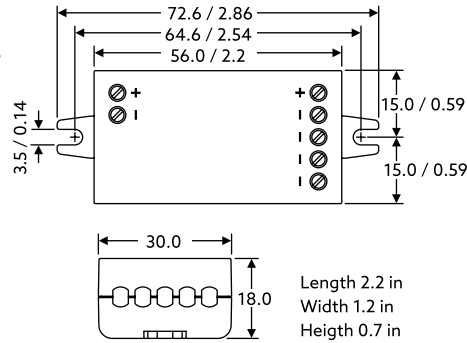


Order code	DRI.V24.OCO.FO.MW.00040
Rated supply voltage	115 - 277 V AC
AC voltage range	100 - 305 V AC
Output voltage	24 V DC
Output power	240 W
Dimming	no dimming
IP class	IP67

CONTROLLERS

WIRELESS BLUETOOTH

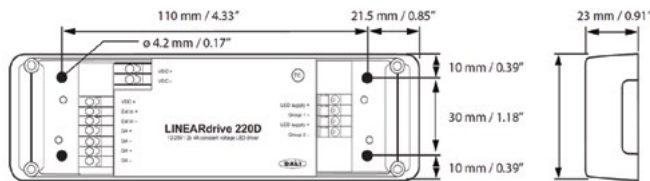
wireless controll using iOS or Android smartphones or tablets, for white, tunable white, RGB and RGB+W fixtures



Order code	DIM-CA-BT/PWM4
Control type	Wireless Bluetooth BLE Control using iOS or Android phones or tablets
LED type	Single color, Tunable white, RGB, RGB+W
Input voltage	12-24 VDC
Input current max	6A or 4A (US and Canada)
Output voltage	Same as input voltage
Output current	6 A (can be freely divided between the channels) 4 A (US and Canada)
Dimming method	PWM
IP class	IP20

0-10V FOR TUNABLE WHITE

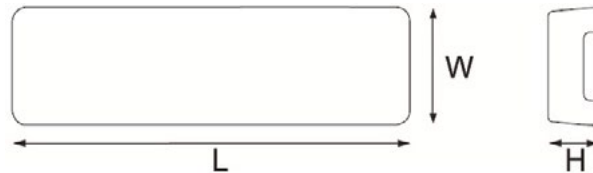
for tunable white fixtures



Order code	DIM EL 1-10V/TW
Control type	0-10V
LED type	Tunable white
Input voltage	12-24 VDC
Input current max	8 A, irrespective of PSU voltage
Output voltage	Same as input voltage
Output current	8 A maximum, irrespective of whether using one or both LED outputs
IP class	IP20

DMX/DALI FOR RGB+W

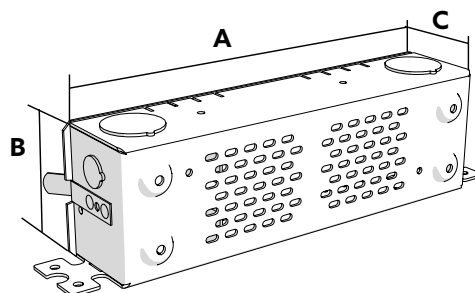
for white, tunable white, RGB and RGB+W fixtures



Length (L)	typical: 153 mm / 6.02 in
Width (W)	typical: 50 mm / 1.97 in
Height (H)	typical: 23 mm / 0.91 in
Weight	144 g

Order code	DIM EL DALI/RGBW
Control type	DMX and DALI
LED type	Single color, Tunable white, RGB, RGB+W
Input voltage	12-48 VDC
Input current max	24 A, irrespective of PSU voltage
Output voltage	Same as input voltage
Output current	RGBW @ 24V: 6A RGB @ 24V: 6A
IP class	IP20

DRIVER ENCLOSURES

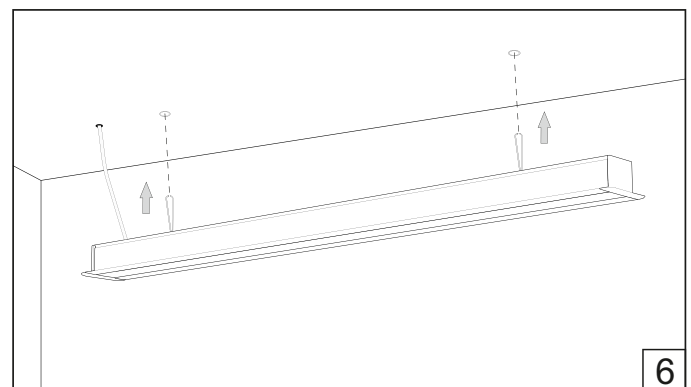
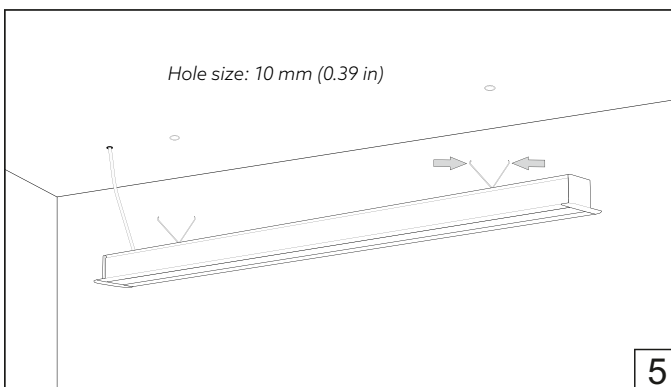
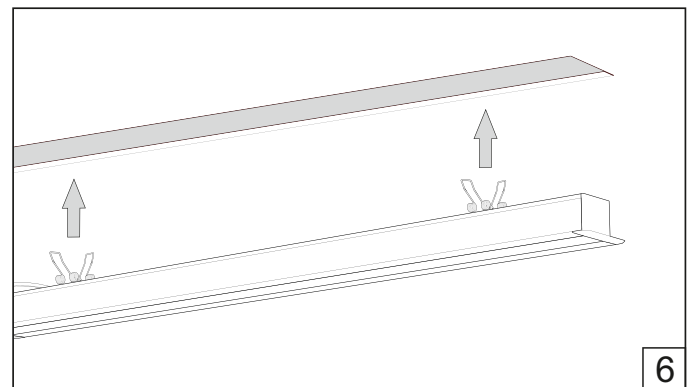
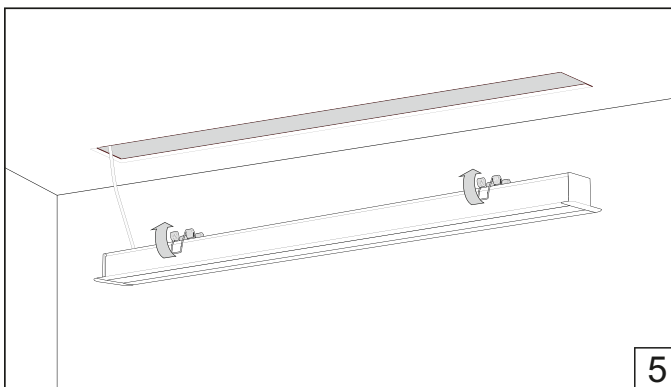
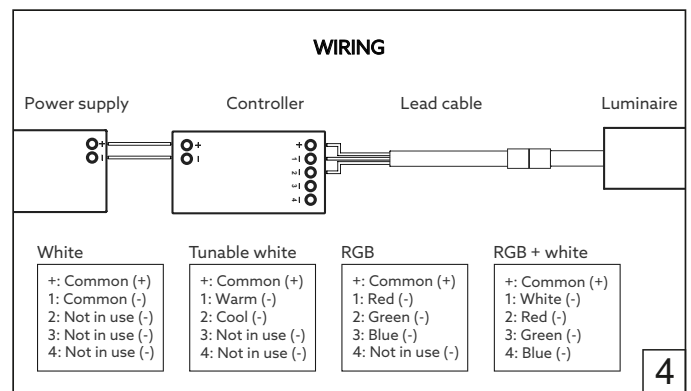
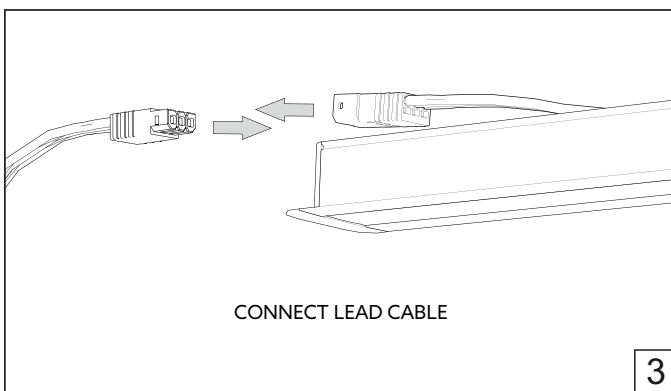
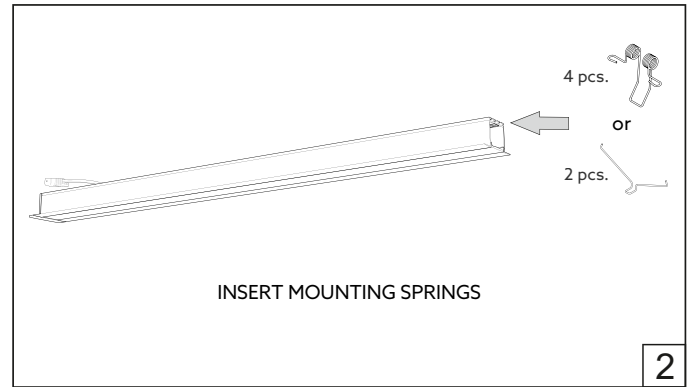
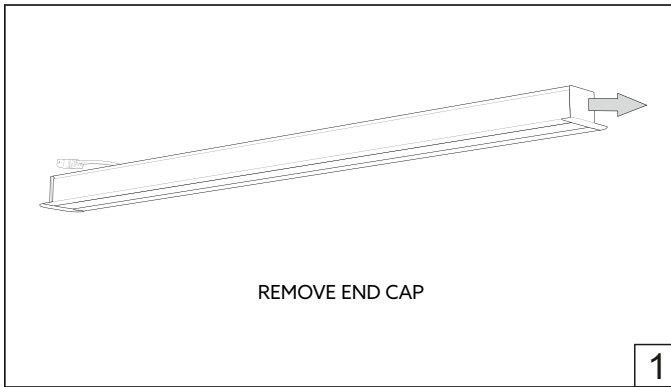


SIZE OPTIONS	A - LENGTH	C - HEIGHT	B - WIDTH
1	534 mm 21 inch	45 mm 1.7"	65 mm 2.6"
2	330 mm 13 inch	45 mm 1.7"	65 mm 2.6"

Possible allowed deviation of optical and electrical values are ±15%. Allowed measurement uncertainty ±7%.

All values in datasheet are for reference only and customers should take these values on their own risk. Holectron reserves the right for changes without prior notice.
www.holectron.com | Customizable Linear LED Lighting Products

INSTALLATION GUIDE



SAFETY / WARNINGS / DISCLOSURES

1. Install in accordance with national and local electrical code regulations.
2. Do not modify or disassemble this product beyond instructions or the warranty will be void.
3. Our channels, covers, end caps, and mounting brackets are also suitable for outdoor use with some considerations. Please consult with local Holecron representative to pick right fixtures for outdoor use.
4. Indoor (IP20) fixtures should never be mounted in areas receiving direct sunlight and locations where they can be submerged under water or might get in direct contact with water or puddling (rainfall, sprinkler, spray, etc.).
5. Avoid leaving gaps in any of the end cap or cover mating edges to the channel that will allow excess dust, debris, or water/moisture to enter the channel enclosure.
6. Actual product color may vary from what is pictured on this sheet and other print materials due to the limitations of photographic processes.
7. We reserve the right to modify and improve the design of our fixtures without prior notice. We cannot guarantee to match existing installed fixtures for subsequent orders or replacements in regards to product appearance, CCT, or lumen output.

SAFETY / WARNINGS / DISCLOSURES

Limited Warranty

This product has a five (5) year limited warranty from the date of shipment. This warranty does not include the additional accessories referenced in this specification sheet. Complete warranty details for fixtures and additional accessories are available online [download here](#). For warranty related questions please contact product support.

CONSUMER'S ACKNOWLEDGMENT

Holecron stands behind its products when they are used properly and according to our specifications. By purchasing our products, the purchaser agrees and acknowledges that lighting design, configuration and installation is a complex process, wherein seemingly minor factors or changes in layout and infield adjustments can have a significant impact on an entire system. Choosing the correct components is essential. Holecron is able to work with the original purchaser to make an appropriate product selection to the extent of the limited information that the customer can provide, but it is virtually impossible for Holecron to design a system that foresees every unknown factor. For this reason, this Warranty does not cover problems caused by improper design, configuration or installation issues.

Any statement from a Holecron employee or agent regarding a customer's bill of goods and/or purchase order is NOT an acknowledgment that the products

purchased are designed and configured correctly. The purchase agrees and acknowledges that it is the customer's responsibility to adhere strictly to all information contained in the Product Specification Sheets. There is often more than one way to design, configure and layout an LED lighting application properly to achieve the same lighting effect. Holecron strongly recommends that licensed professionals be used in the design and installation of lighting systems that include Holecron products. The specifications include important information that a designer and installer should carefully review and strictly follow. Qualified designers and certified and/or licensed installers, with access to the final installation environment, customer goals, and Holecron product specifications can make the requisite decisions appropriate for a successful finished lighting application.

HOLECTRON

HOLECTRON. All rights reserved.
Specifications are subject to change without notice.
Phone: +370 612 42446
email: info@holecron.com | www.holecron.com