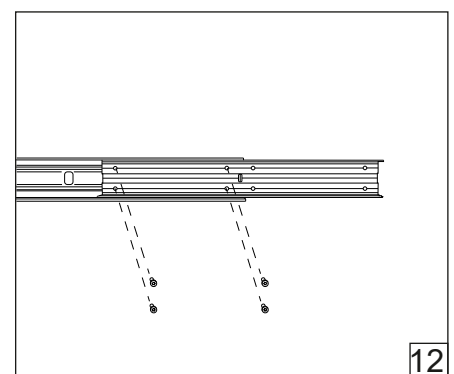
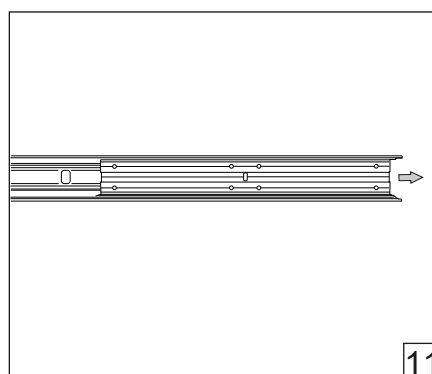
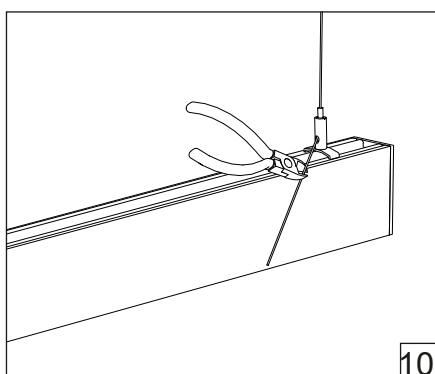
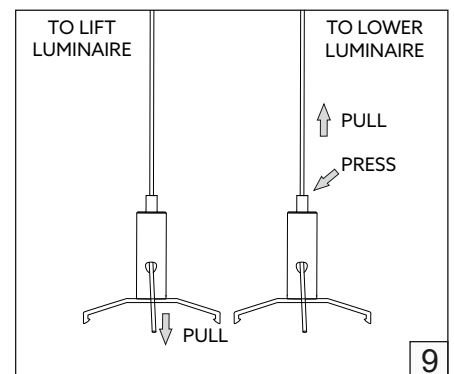
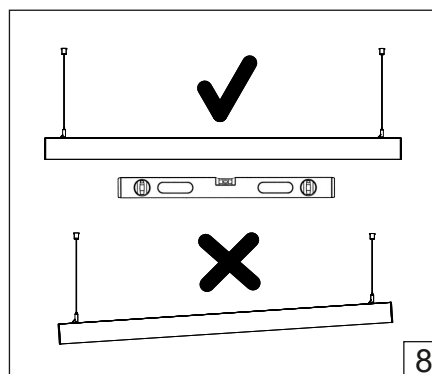
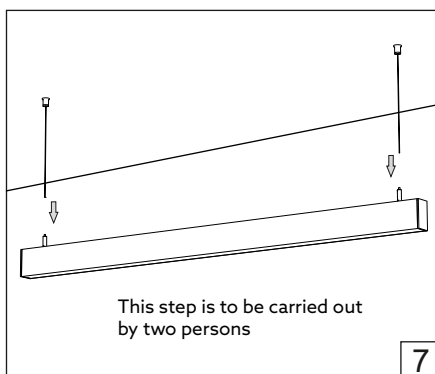
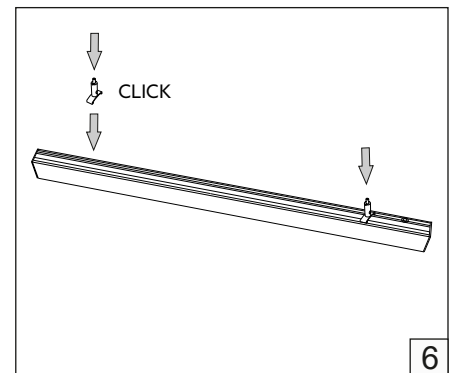
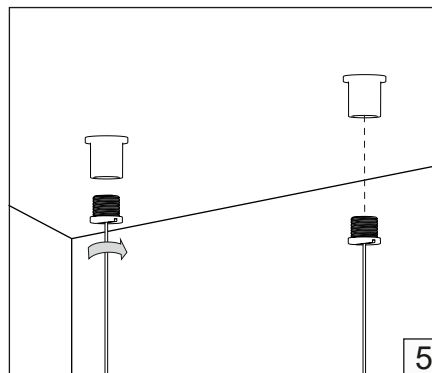
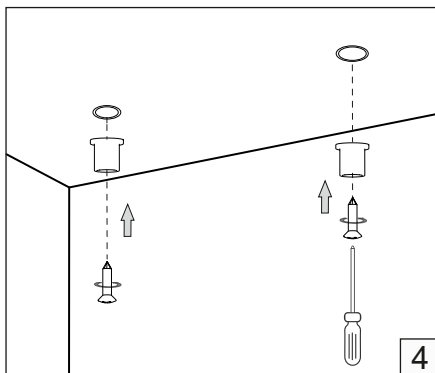
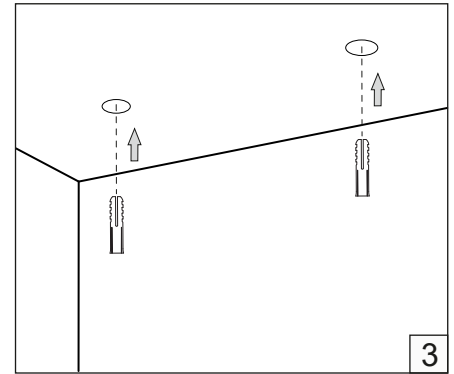
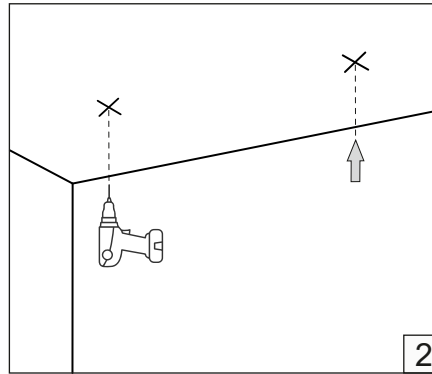
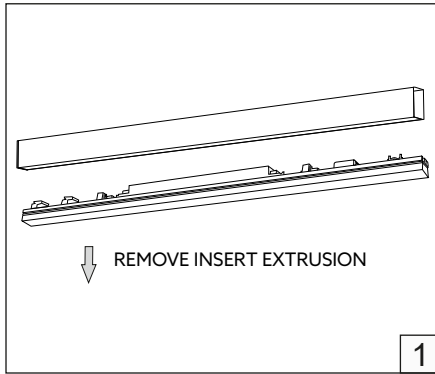


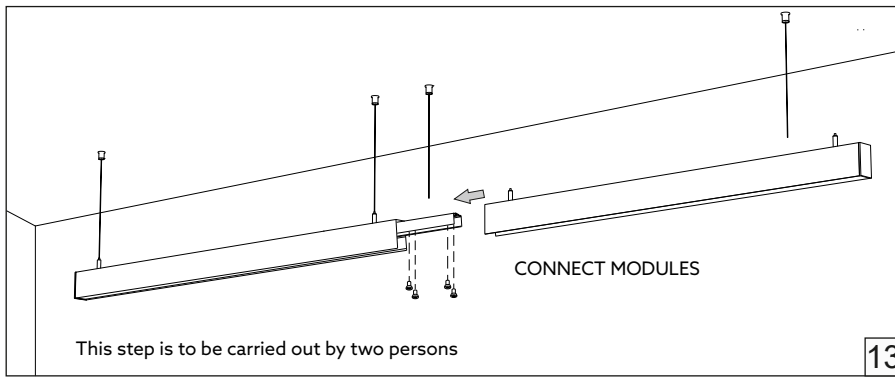
MINIA PENDANT CONTINUOUS LINE HOLECTRON

Installation guide

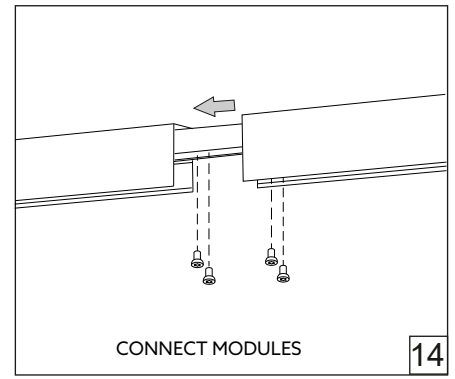


- For indoor use only.
- Product installation must be carried out by a qualified professional.
- Before installing make sure, that electrical power is turned **OFF**.
- Before installing make sure, that the fixing area can bear the total weight of the luminaire.
- Pay attention to polarity when connecting (installing) the product.
- Do not operate if the luminaire has been damaged.
- To protect the surface from dirt and fingerprints, we recommend the use of protective gloves during installation.
- Product warranty does not cover any damage caused by faulty installation and/or misuse.
- For further information, please contact the manufacturer.

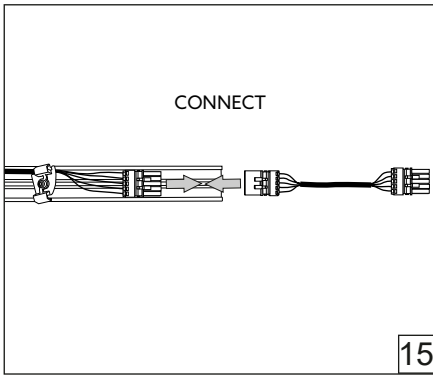




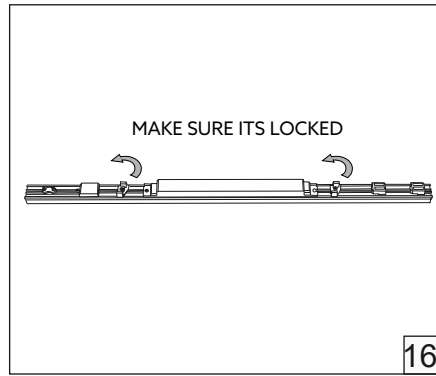
13



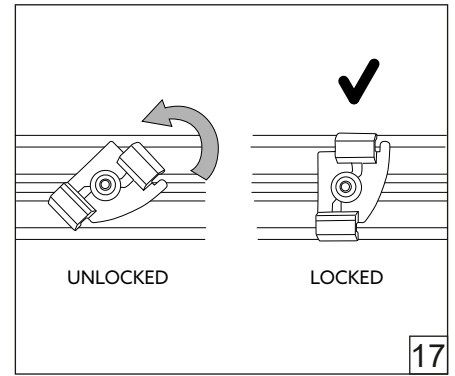
14



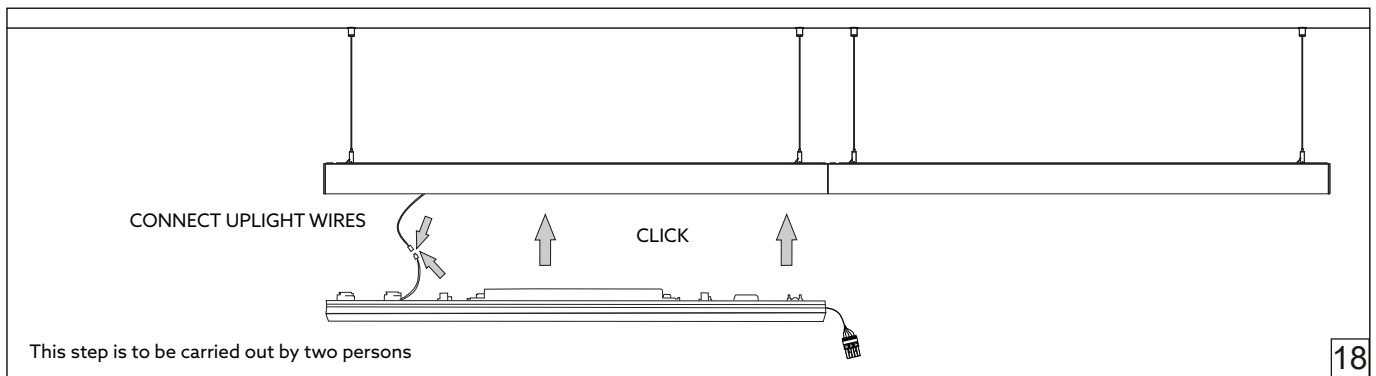
15



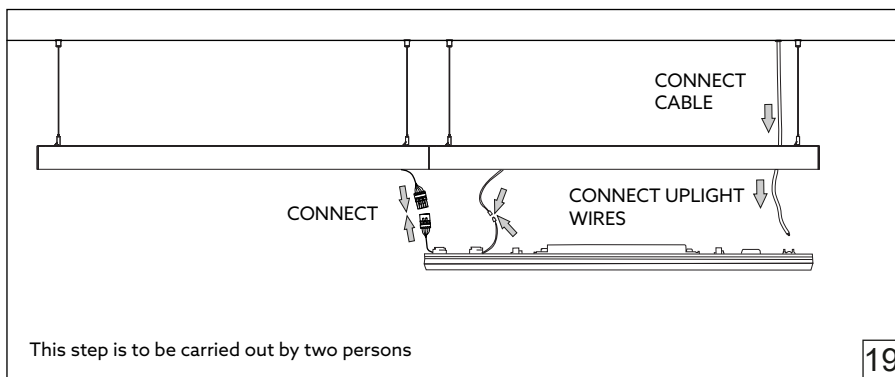
16



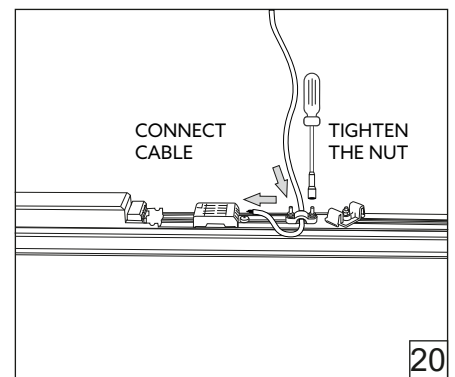
17



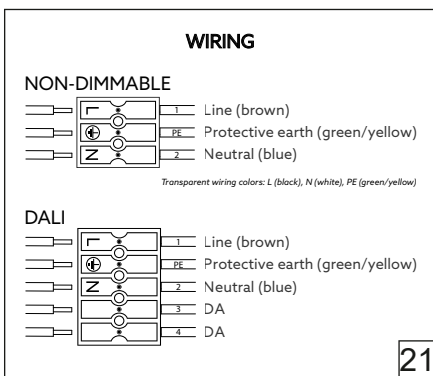
18



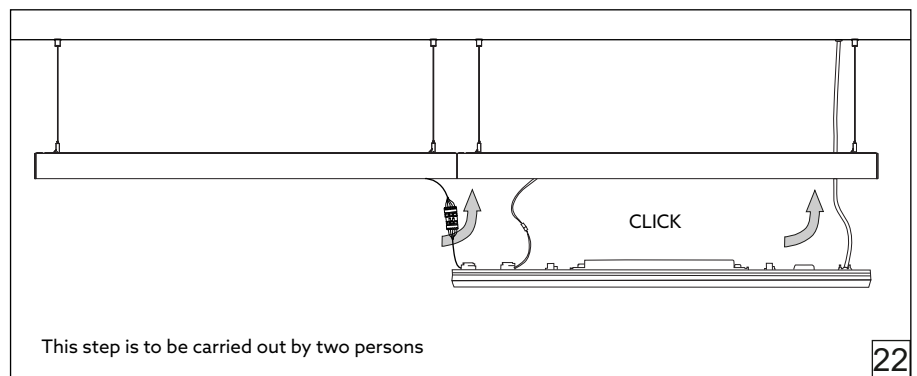
19



20



21



22

