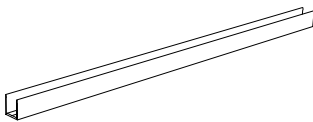




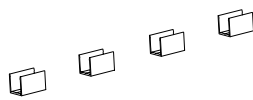
- Product installation must be carried out by a qualified professional.
- Before installing make sure, that electrical power is turned **OFF**.
- Before installing make sure, that the area can bear the total weight of the luminaire mounting.
- Pay attention to polarity when connecting (installing) the product.
- Do not operate if the luminaire has been damaged.
- To protect the surface from dirt and fingerprints, we recommend the use of protective gloves during installation.
- Product warranty does not cover any damage caused by faulty installation and/or misuse.
- For further information, please contact the manufacturer.

## MOUNTING TYPES

### 1. MOUNTING PROFILE

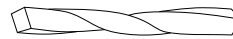


### 2. MOUNTING CLIPS

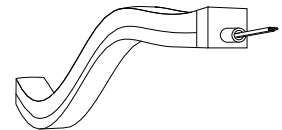


## COBRA 07

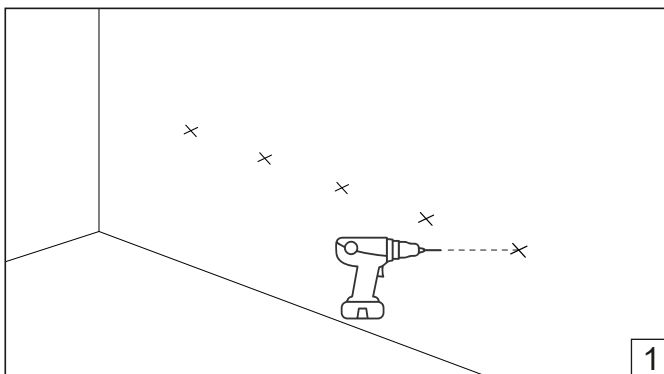
## IMPORTANT



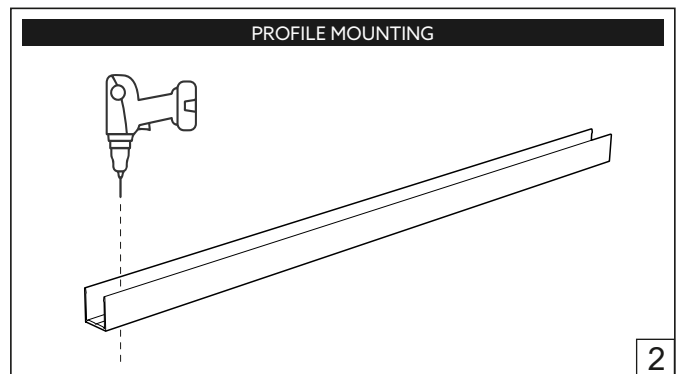
Please do not twist the strip, or it will be damaged



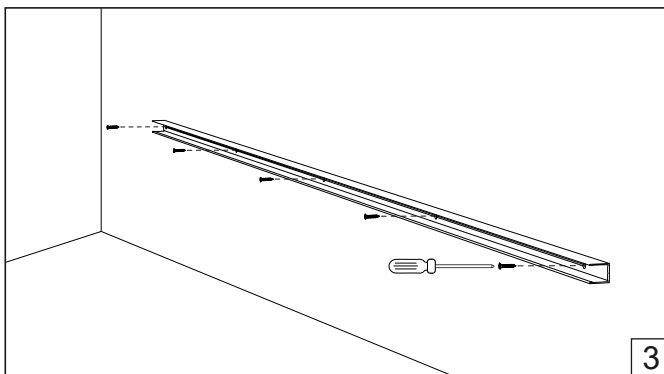
Max. bend radius 15 cm (5.90")  
Pay attention to correct bending direction of Cobra 07 LED line type.



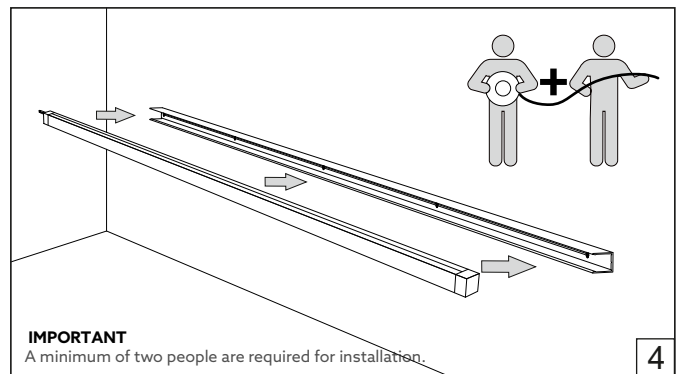
1



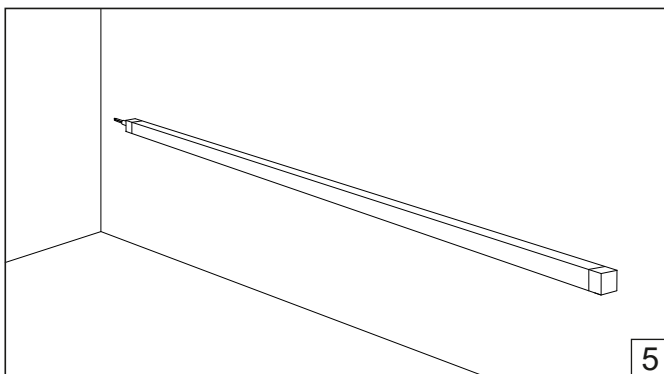
2



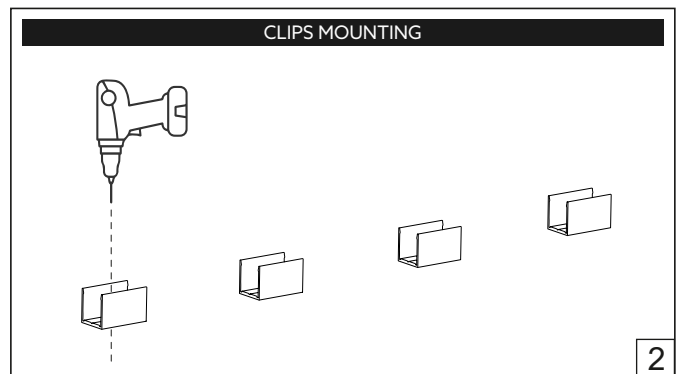
3



4



5



2

## CLIPS MOUNTING

