

Python 03 sleeves

HOLECTRON

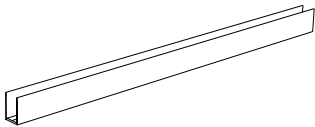
Installation guide



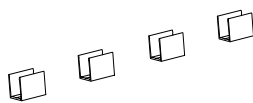
- Product installation must be carried out by a qualified professional.
- Before installing make sure, that electrical power is turned **OFF**.
- Before installing make sure, that the area can bear the total weight of the luminaire mounting.
- Pay attention to polarity when connecting (installing) the product.
- Do not operate if the luminaire has been damaged.
- To protect the surface from dirt and fingerprints, we recommend the use of protective gloves during installation.
- Product warranty does not cover any damage caused by faulty installation and/or misuse.
- For further information, please contact the manufacturer.

MOUNTING TYPES

1. MOUNTING PROFILE



2. MOUNTING CLIPS

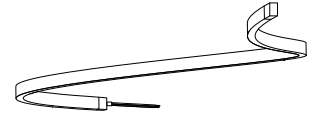


PYTHON 03

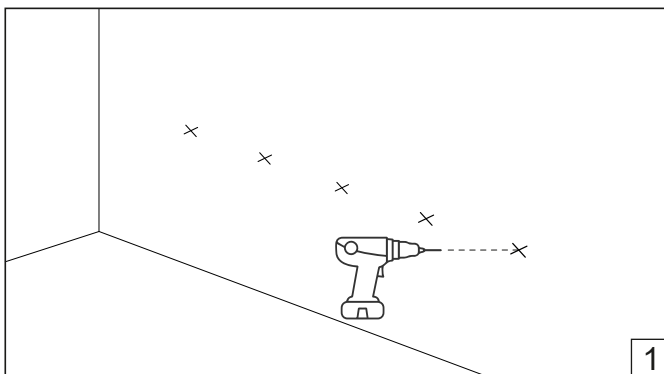
IMPORTANT



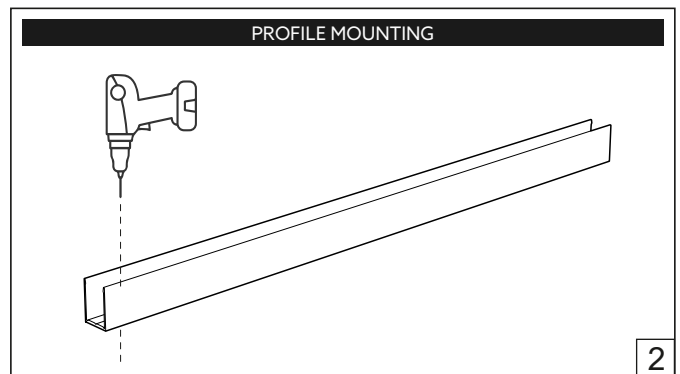
Please do not twist the strip, or it will be damaged



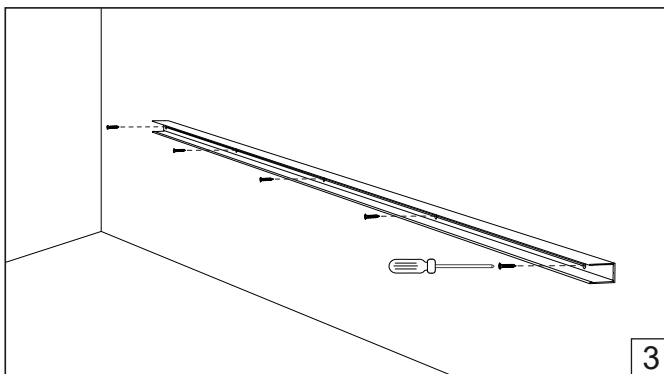
Max. bend radius 15 cm (5.90")
Pay attention to correct bending direction of Python 03 LED line type.



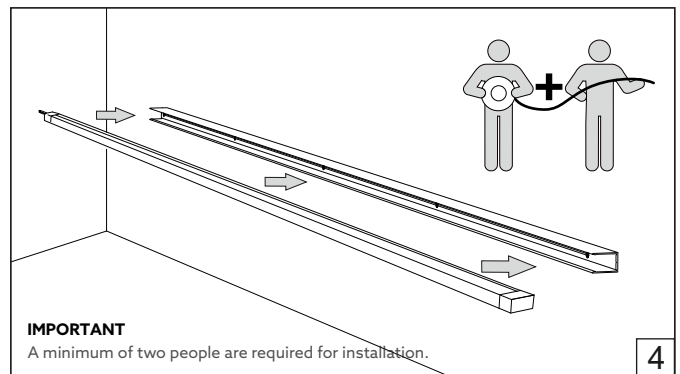
1



2



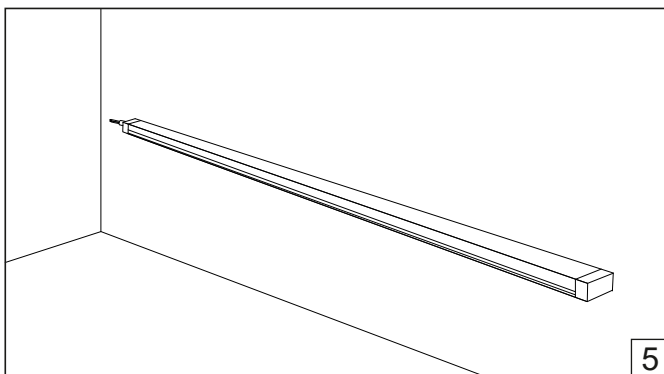
3



IMPORTANT

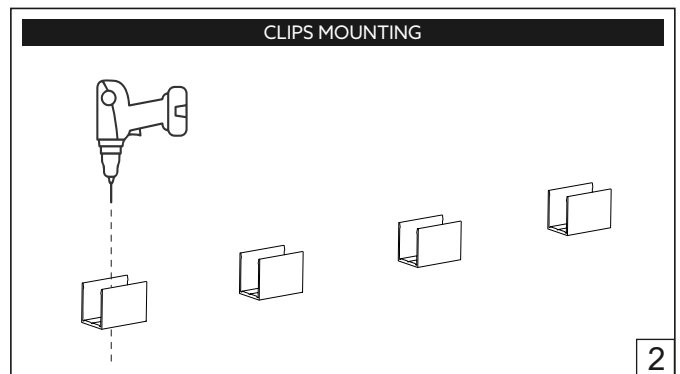
A minimum of two people are required for installation.

4



5

CLIPS MOUNTING



2

