

# Python 02 sleeves

**HOLECTRON**

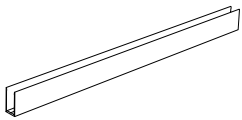
Installation guide



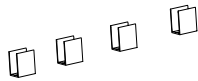
- Product installation must be carried out by a qualified professional.
- Before installing make sure, that electrical power is turned **OFF**.
- Before installing make sure, that the area can bear the total weight of the luminaire mounting.
- Pay attention to polarity when connecting (installing) the product.
- Do not operate if the luminaire has been damaged.
- To protect the surface from dirt and fingerprints, we recommend the use of protective gloves during installation.
- Product warranty does not cover any damage caused by faulty installation and/or misuse.
- For further information, please contact the manufacturer.

## MOUNTING TYPES

1. MOUNTING PROFILE



2. MOUNTING CLIPS

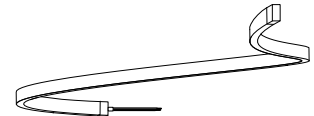


PYTHON 02

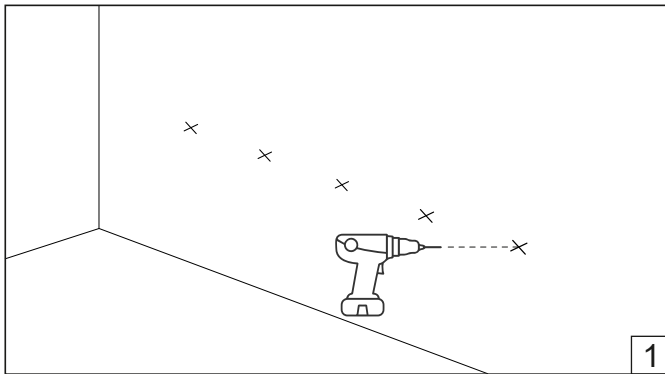
**IMPORTANT**



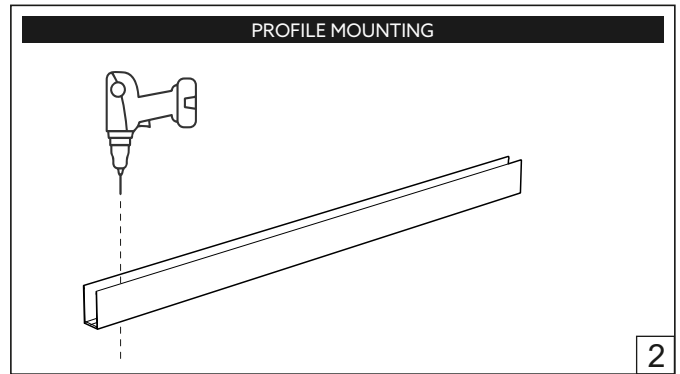
Please do not twist the strip,  
or it will be damaged



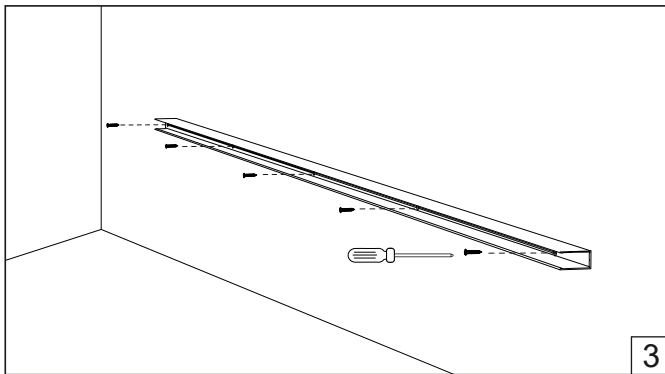
Max. bend radius 10 cm (3.94 in)  
Pay attention to correct bending  
direction of Python 02 LED line type.



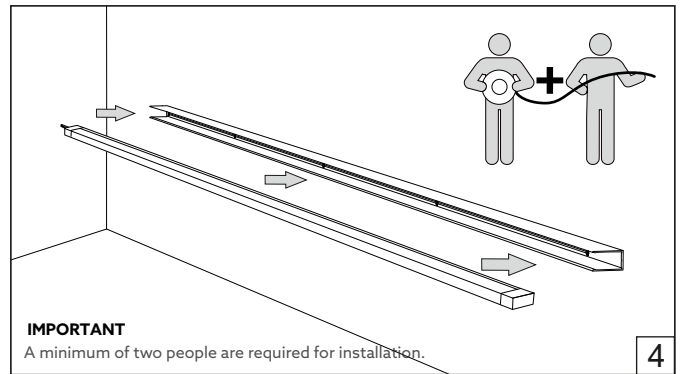
1



2



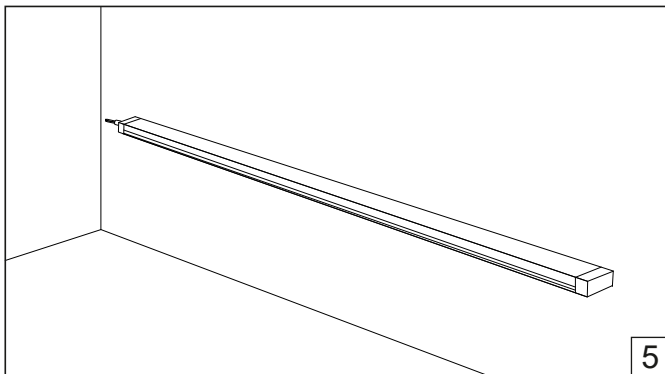
3



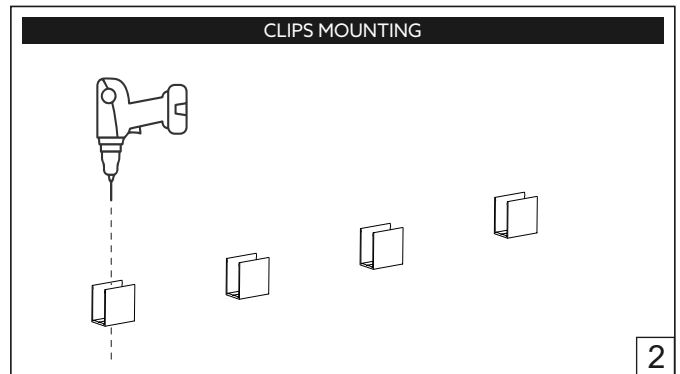
**IMPORTANT**

A minimum of two people are required for installation.

4



5



2

## CLIPS MOUNTING

