



- For indoor use only.
- Product installation must be carried out by a qualified professional.
- Before installing make sure, that electrical power is turned **OFF**.
- Before installing make sure, that the fixing area can bear the total weight of the luminaire.
- Pay attention to polarity when connecting (installing) the product.
- Do not operate if the luminaire has been damaged.
- To protect the surface from dirt and fingerprints, we recommend the use of protective gloves during installation.
- Product warranty does not cover any damage caused by faulty installation and/or misuse.
- For further information, please contact the manufacturer.

MOUNTING USING ANGLE HOLDERS

PRG.A130X.F01



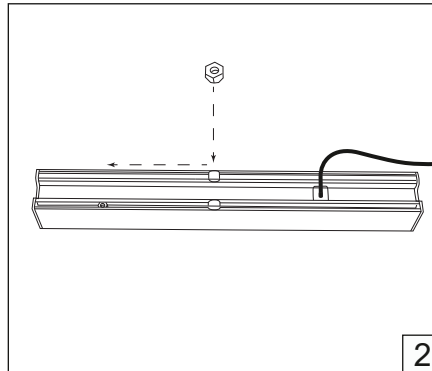
PRG.A130X.F02



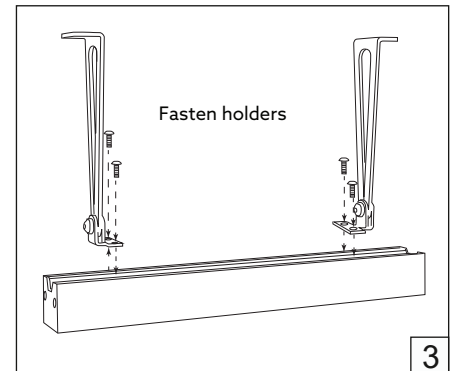
PRG.A130X.F03



1

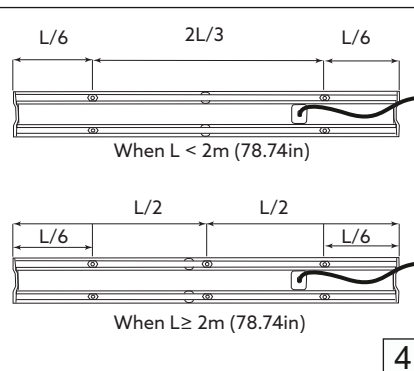


2

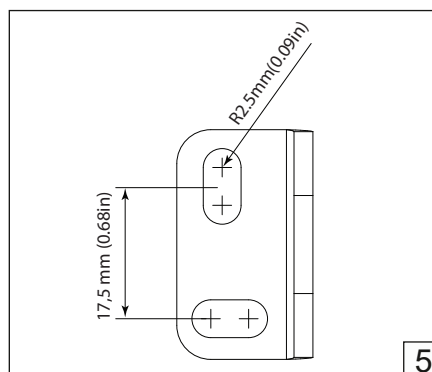


3

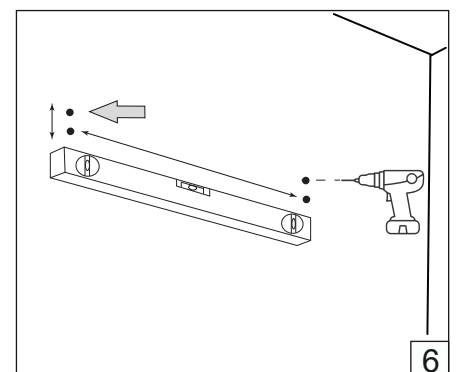
Fasten holders



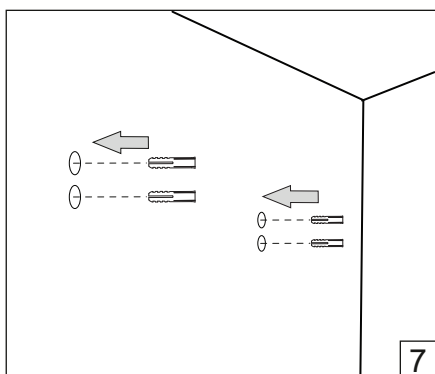
4



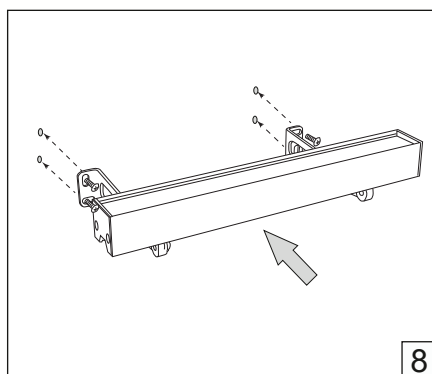
5



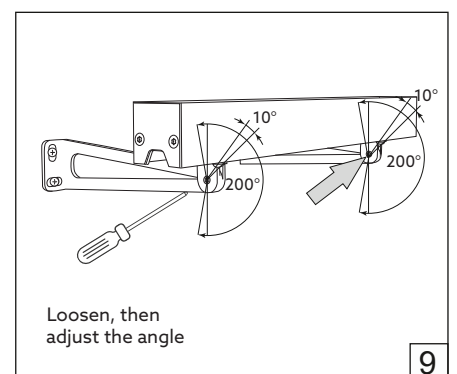
6



7

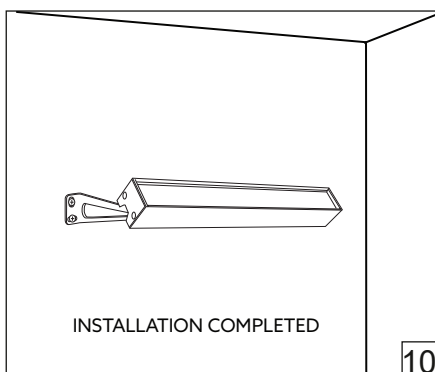


8



9

Loosen, then
adjust the angle



10

INSTALLATION COMPLETED

