

Ula L

SPECIFICATION SHEET

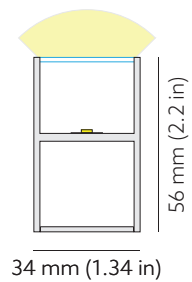
The Ula L is a large scale modular linear LED light suitable for a wide range of general lighting applications. It features an opal cover for continuous lighting and 48 W/m of power, plus drivers can be fitted into the extrusion.

Designed for long-term indoor use, these modular lights are perfectly suited to continuous line lighting where a wide line and/or a high lumen output is required. Modules can be connected quickly and securely thanks to their integrated connectors, which are hidden inside the modules for a seamless and professional visual effect.



Project	Date
Notes	Quantity

Cover	Opal / Clear (available on request)
Light engine	Any LED strip up to 48 W/m
Beam angle	111°
Connection	Input: plug; Output: socket
Light output ratio (LOR)	52%
Dimmable	YES
Voltage	24 VDC (22.5 - 25 VDC)



HOUSING COLORS

	Gray - AG
	White - PW
	Black - PB
	Custom (RAL)

ORDER CODE

MODEL	SEGMENT	WIRE	CONNECTOR	COVER	LED SOURCE	WATTAGE	CRI	CCT	CRI	CCT	HOUSING COLOR	LENGTH
ULA L												
SEGMENT	L luminaire	S start	M middle	E end	F full set							
WIRE	B back											
CONNECTOR	C connector	T tinned ends										
COVER	OP opal	CL clear										
LED SOURCE	FL-56/N3 static white	FL-56/D3 static white	TW-56/N3 tunable white	TW-56/D3 tunable white	RGB-48/N3 RGB	RGBW-48/N3 RGB+W						
WATTAGE	4 4W/m 1.5W/ft static white	9 9.6 W/m 2.9 W/ft static white, TW	14 14.4 W/m 4.4 W/ft static white, RGB	19 19.2 W/m 5.9 W/ft RGB	24 24 W/m 7.3 W/ft static white, TW							
CRI	8 CR I80+	9 CR I90+	0 CR I95+ <small>*for FL-112/N3 & TW-56/N3 only</small>									
CCT	20 2000K <small>*for FL-112/N3 & TW-56/N3 only</small>	22 2200K	25 2500K <small>*for FL-112/N3 & TW-56/N3 only</small>	27 2700K	30 3000K	35 3500K	40 4000K	50 5000K	57 5700K <small>*not available for RGBW-48/O3</small>	65 6500K		
CRI	8 for tunable white only CR I80+	9 CR I90+	0 CR I95+									
CCT	20 for tunable white only 2000K <small>*for FL-112/N3 & TW-56/N3 only</small>	22 2200K	25 2500K <small>*for FL-112/N3 & TW-56/N3 only</small>	27 2700K	30 3000K	35 3500K	40 4000K	50 5000K	57 5700K	65 6500K		
HOUSING COLOR	AG anodized gray	PW painted white	PB painted black	CUSTOM COLOR contact sales								

LENGTH

check "Segments" section for precise dimensions

inches	4.9"	7.4"	9.8"	1'	1'2"	1'5"	1'7"	1'10"	2'	2'3"	2'5"	2'8"	2'10"	3'	3'3"	3'5"	3'8"	3'10"	4'1"	4'3"	4'6"	4'8"	4'11"	5'1"
mm	125	188	250	313	375	438	500	563	625	688	750	813	875	938	1000	1063	1125	1188	1250	1313	1375	1438	1500	1563
inches	5'4"	5'6"	5'9"	5'11"	6'2"	6'4"	6'6"	6'9"	6'11"	7'2"	7'4"	7'7"	7'9"	7'11"	8'2"	8'5"	8'7"	8'10"	9'	9'2"	9'5"	9'7"	9'10"	
mm	1625	1688	1750	1813	1875	1938	2000	2063	2125	2188	2250	2313	2375	2438	2500	2563	2625	2688	2750	2813	2875	2938	3000	

COVERS

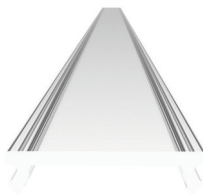
OP - Opal

70% light transmission



CL - Clear

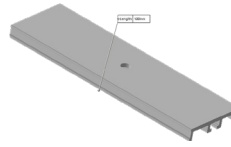
95% light transmission



BRACKETS

AH111.FIX

metal



WIRE

B - BACK EXIT WIRE

wire through a hole on the back of the profile



SEGMENTS

INDIVIDUAL LUMINAIRE

Comes as individual luminaire with a connection to the power supply.

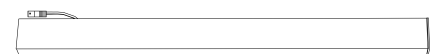


L - LUMINAIRE

Endcaps on both ends
Input wire with male connector, no output wire
Module length = **LENGTH** + 6 mm / 0.24" (back wire exit)

CONTINUOUS LINE

Connecting LED modules to a continuous line, no connection mark is visible between the modules.



S - START MODULE

Endcap on single end only
Input wire with male connector, output with female
Module length = **LENGTH** + 3 mm (0,12")

M - MIDDLE MODULE

No endcaps on both ends
Input wire with male connector, output with female
Module length = **LENGTH**

E - END MODULE

Endcap on single end only
Input wire with male connector, no output cable
Module length = **LENGTH** + 3 mm (0,12")

FULL SET INSTALLATION

Connecting the LED module to a line connection endcaps are visible, no continuous light line is obtained.



F - FULL SET MODULE

Endcap on both ends
Input wire with male connector, output female
Module length = **LENGTH** + 6 mm / 0.24" (back wire exit)

F - FULL SET MODULE

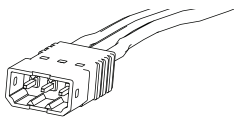
L - LUMINAIRE
or
F - FULL SET MODULE

Possible allowed deviation of optical and electrical values are ±15%. Allowed measurement uncertainty ±7%. All values in datasheet are for reference only and customers should take these values on their own risk. Holectron reserves the right for changes without prior notice.

CONNECTORS

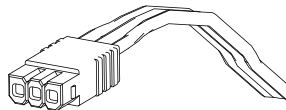
MALE CONNECTOR

for indoor use only



FEMALE CONNECTOR

for indoor use only



LEAD WIRES END

any connector can be applied

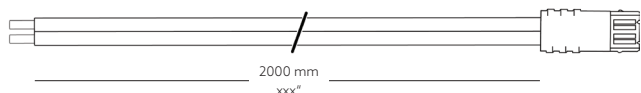


CONNECTOR DIMENSIONS		MALE		FEMALE	
WHITE 2-pin	Length	0.61"	15.5 mm	0.59"	15 mm
	Width	0.263"	6.7 mm	0.24"	6.1 mm
	Height	0.196"	5 mm	0.196"	5 mm
TW 3-pin	Length	0.61"	15.5 mm	0.59"	15 mm
	Width	0.362"	9.2 mm	0.338"	8.6 mm
	Height	0.196"	5 mm	0.196"	5 mm
RGB 4-pin	Length	0.61"	15.5 mm	0.59"	15 mm
	Width	0.648"	16.5 mm	0.437"	11.1 mm
	Height	0.204"	5.2 mm	0.196"	5 mm
RGBW 5-pin	Length	0.61"	15.5 mm	0.59"	15 mm
	Width	0.559"	14.2 mm	0.535"	13.6 mm
	Height	0.196"	5 mm	0.196"	5 mm

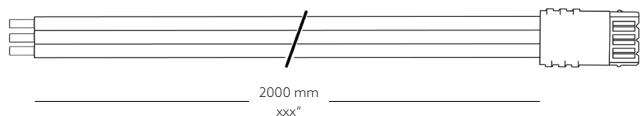
LEAD CABLES

Lead-wire cables are used to connect the LED module to the power supply unit.

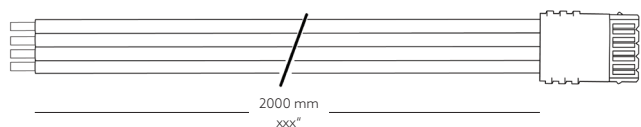
For White LEDs
PH-TP-2M L2000



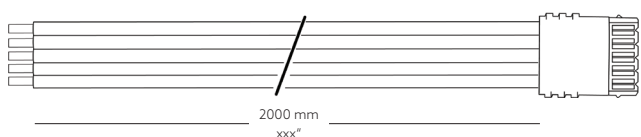
For Tunable White LEDs
PH-TP-3M L2000



For RGB LEDs
PH-TP-4M L2000



For RGB+W LEDs
PH-TP-5M L2000



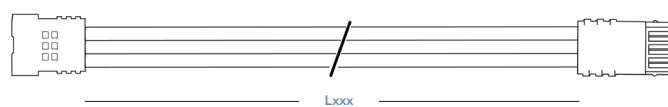
EXTENSION CABLES

Extension cables are used to connect two remote LED modules.

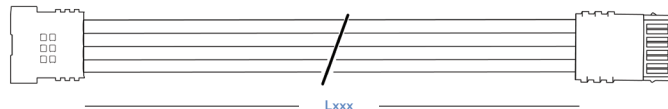
For White LEDs
PH-TP-2M/2F Lxxx



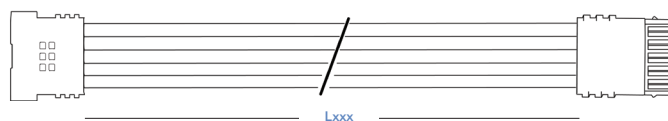
For Tunable White LEDs
PH-TP-3M/3F Lxxxx



For RGB LEDs
PH-TP-4M/4F Lxxxx



For RGB+W LEDs
PH-TP-5M/5F Lxxxx



EXTENSION CABLES LENGTHS

Lxxx	L150	L500	L1000	L2000
Length	150 mm 5.9"	500 mm 1 ft 8 in'	1000 mm 3 ft 3 in	2000 mm 6 ft 6 in

LUMEN VALUES OF LED STRIPS

FL-56/N3 - WHITE LIGHT

		POWER									
		4,8 W/m 1.5 W/ft		9,6 W/m 2.9 W/ft		14,4 W/m 4.4 W/ft		19,2 W/m 5.9 W/ft		24 W/m 7.3 W/ft	
CRI 80+		4		9		14		19		24	
SPECTRUM	KELVINS	lm/m	lm/ft	lm/m	lm/ft	lm/m	lm/ft	lm/m	lm/ft	lm/m	lm/ft
820	2000K	517	158	1031	314	1492	455	1954	596	2378	725
822	2200K	560	171	1115	340	1614	492	2114	644	2573	784
825	2500K	613	187	1221	372	1767	539	2314	705	2817	859
827	2700K	716	218	1428	435	2067	630	2706	825	3295	1004
830	3000K	738	225	1470	448	2128	649	2787	849	3392	1034
835	3500K	755	230	1504	458	2177	664	2851	869	3470	1058
840	4000K	757	231	1508	460	2183	665	2859	871	3480	1061
850	5000K	808	246	1569	478	2268	691	2988	911	3643	1110
857	5700K	780	238	1514	461	2188	667	2883	879	3515	1071
865	6500K	780	238	1514	461	2188	667	2883	879	3515	1071
EFFICACY		168 lm/W		163 lm/W		158 lm/W		156 lm/W		152 lm/W	



		POWER									
		4,8 W/m 1.5 W/ft		9,6 W/m 2.9 W/ft		14,4 W/m 4.4 W/ft		19,2 W/m 5.9 W/ft		24 W/m 7.3 W/ft	
CRI 90+		4		9		14		19		24	
SPECTRUM	KELVINS	lm/m	lm/ft	lm/m	lm/ft	lm/m	lm/ft	lm/m	lm/ft	lm/m	lm/ft
920	2000K	433	132	834	254	1197	365	1565	477	1898	579
922	2200K	468	143	903	275	1295	395	1693	516	2053	626
925	2500K	508	155	979	298	1405	428	1837	560	2227	679
927	2700K	584	178	1139	346	1637	498	2141	651	2602	791
930	3000K	597	181	1165	354	1674	509	2189	665	2660	809
935	3500K	613	186	1194	363	1717	522	2245	682	2728	829
940	4000K	624	190	1216	370	1747	531	2284	694	2777	844
950	5000K	664	202	1292	393	1856	564	2426	737	2945	895
957	5700K	660	201	1284	390	1844	560	2410	733	2925	889
965	6500K	656	199	1275	388	1832	557	2394	728	2906	883
EFFICACY		138 lm/W		135 lm/W		129 lm/W		126 lm/W		123 lm/W	

		POWER									
		4,8 W/m 1.5 W/ft		9,6 W/m 2.9 W/ft		14,4 W/m 4.4 W/ft		19,2 W/m 5.9 W/ft		24 W/m 7.3 W/ft	
CRI 95+		4		9		14		19		24	
SPECTRUM	KELVINS	lm/m	lm/ft	lm/m	lm/ft	lm/m	lm/ft	lm/m	lm/ft	lm/m	lm/ft
027	2700K	503	153	970	295	1391	423	1820	553	2209	671
030	3000K	514	156	992	302	1422	432	1860	565	2258	686
035	3500K	525	160	1013	308	1452	441	1899	577	2306	701
040	4000K	531	161	1026	312	1471	447	1923	584	2335	710
050	5000K	569	173	1101	335	1582	481	2072	630	2523	767
EFFICACY		119 lm/W		115 lm/W		110 lm/W		108 lm/W		105 lm/W	

Possible allowed deviation of optical and electrical values are ±15%. Allowed measurement uncertainty ±7%. All values in datasheet are for reference only and customers should take these values on their own risk. Holectron reserves the right for changes without prior notice.

LUMEN VALUES OF LED STRIPS

FL-56/D3 - WHITE LIGHT

CRI 80+						POWER				
		4,8 W/m 1.5 W/ft		9,6 W/m 2.9 W/ft		14,4 W/m 4.4 W/ft		19,2 W/m 5.9 W/ft		24 W/m
SPECTRUM	KELVINS	4		9		14		19		24
		lm/m	lm/ft	lm/m	lm/ft	lm/m	lm/ft	lm/m	lm/ft	lm/m
822	2200K	612	186	1137	346	1590	483	2050	623	-
827	2700K	612	186	1137	346	1590	483	2050	623	-
830	3000K	649	197	1206	367	1686	512	2175	661	-
835	3500K	686	209	1275	388	1783	542	2300	699	-
840	4000K	722	219	1344	409	1880	571	2421	736	-
850	5000K	760	231	1413	429	1977	601	2546	774	-
857	5700K	760	231	1413	429	1977	601	2546	774	-
865	6500K	760	231	1413	429	1977	601	2546	774	-
EFFICACY		158 lm/W		147 lm/W		137 lm/W		133 lm/W		



CRI 90+						POWER				
		4,8 W/m 1.5 W/ft		9,6 W/m 2.9 W/ft		14,4 W/m 4.4 W/ft		19,2 W/m 5.9 W/ft		24 W/m
SPECTRUM	KELVINS	4		9		14		19		24
		lm/m	lm/ft	lm/m	lm/ft	lm/m	lm/ft	lm/m	lm/ft	lm/m
922	2200K	479	146	912	277	1300	395	1686	512	-
927	2700K	515	157	978	297	1398	425	1812	551	-
930	3000K	550	167	1046	318	1495	454	1935	588	-
935	3500K	586	178	1114	339	1589	483	2061	626	-
940	4000K	622	189	1182	359	1686	512	2188	665	-
950	5000K	622	189	1182	359	1686	512	2188	665	-
957	5700K	622	189	1182	359	1686	512	2188	665	-
965	6500K	622	189	1182	359	1686	512	2188	665	-
EFFICACY		130 lm/W		123 lm/W		117 lm/W		114 lm/W		

Possible allowed deviation of optical and electrical values are ±15%. Allowed measurement uncertainty ±7%. All values in datasheet are for reference only and customers should take these values on their own risk. Holectron reserves the right for changes without prior notice.

LUMEN VALUES OF LED STRIPS

TW-56/N3 - TUNABLE WHITE LIGHT

CRI 80+		POWER													
		9,6 W/m		2,9 W/ft		14,4 W/m		4,4 W/ft		19,2 W/m		5,9 W/ft		24 W/m	
SPECTRUM	KELVINS	9		14		19		24							
		lm/m	lm/ft	lm/m	lm/ft	lm/m	lm/ft	lm/m	lm/ft	lm/m	lm/ft	lm/m	lm/ft	lm/m	lm/ft
820/865	2000-6500K	1297	395	-	-	2545	776	-	-	-	-	-	-	-	-
825/857	2500-5700K	1393	425	-	-	2735	834	-	-	-	-	-	-	-	-
827/857	2700-5700K	1496	456	-	-	2942	897	-	-	-	-	-	-	-	-
827/850	2700-5000K	1524	465	-	-	2997	913	-	-	-	-	-	-	-	-



CRI 90+		POWER															
		9,6 W/m		2,9 W/ft		14,4 W/m		4,4 W/ft		19,2 W/m		5,9 W/ft		24 W/m			
SPECTRUM	KELVINS	9		14		19		24									
		lm/m	lm/ft	lm/m	lm/ft	lm/m	lm/ft	lm/m	lm/ft	lm/m	lm/ft	lm/m	lm/ft	lm/m	lm/ft		
920/965	2000-6500K	1120	341	-	-	2170	661	-	-	-	-	-	-	-	-		
925/957	2500-5700K	1199	365	-	-	2323	708	-	-	-	-	-	-	-	-		
927/950	2700-5000K	1314	401	-	-	2552	778	-	-	-	-	-	-	-	-		
EFFICACY		137 lm/W				133 lm/W											

CRI 95+		POWER															
		9,6 W/m		2,9 W/ft		14,4 W/m		4,4 W/ft		19,2 W/m		5,9 W/ft		24 W/m			
SPECTRUM	KELVINS	9		14		19		24									
		lm/m	lm/ft	lm/m	lm/ft	lm/m	lm/ft	lm/m	lm/ft	lm/m	lm/ft	lm/m	lm/ft	lm/m	lm/ft		
027/040	2700-4000K	1082	330	-	-	2009	612	-	-	-	-	-	-	-	-		
027/050	2700-5000K	1122	342	-	-	2092	638	-	-	-	-	-	-	-	-		
EFFICACY		117 lm/W				109 lm/W											

TW-56/D3 - TUNABLE WHITE LIGHT

CRI 80+		POWER															
		9,6 W/m		2,9 W/ft		14,4 W/m		4,4 W/ft		19,2 W/m		5,9 W/ft		24 W/m			
SPECTRUM	KELVINS	9		14		19		24									
		lm/m	lm/ft	lm/m	lm/ft	lm/m	lm/ft	lm/m	lm/ft	lm/m	lm/ft	lm/m	lm/ft	lm/m	lm/ft		
827/840	2700-4000K	1287	392	-	-	2408	734	-	-	-	-	-	-	-	-		
827/850	2700-5700K	1297	395	-	-	2413	735	-	-	-	-	-	-	-	-		
827/857	2700-5700K	1292	394	-	-	2406	733	-	-	-	-	-	-	-	-		
827/865	2700-6500K	1286	392	-	-	2405	733	-	-	-	-	-	-	-	-		
EFFICACY		135 Lm/W				126 Lm/W											



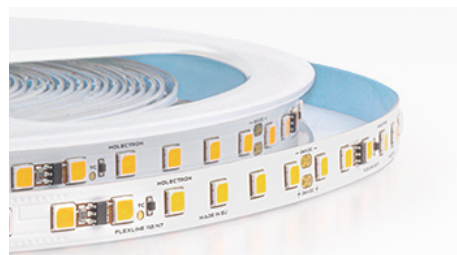
CRI 90+		POWER															
		9,6 W/m		2,9 W/ft		14,4 W/m		4,4 W/ft		19,2 W/m		5,9 W/ft		24 W/m			
SPECTRUM	KELVINS	9		14		19		24									
		lm/m	lm/ft	lm/m	lm/ft	lm/m	lm/ft	lm/m	lm/ft	lm/m	lm/ft	lm/m	lm/ft	lm/m	lm/ft		
927/940	2700-4000K	1100	335	-	-	2049	625	-	-	-	-	-	-	-	-		
927/950	2700-5700K	1097	334	-	-	2046	624	-	-	-	-	-	-	-	-		
927/957	2700-5700K	1121	342	-	-	2090	637	-	-	-	-	-	-	-	-		
927/965	2700-6500K	1121	342	-	-	2090	637	-	-	-	-	-	-	-	-		
EFFICACY		117 lm/W				109 lm/W											

Possible allowed deviation of optical and electrical values are ±15%. Allowed measurement uncertainty ±7%. All values in datasheet are for reference only and customers should take these values on their own risk. Holectron reserves the right for changes without prior notice.

LUMEN VALUES OF LED STRIPS

FL-112/D3 - WHITE LIGHT

CRI 80+		POWER									
		4,8 W/m 1.5 W/ft		9,6 W/m 2.9 W/ft		14,4 W/m 4.4 W/ft		19,2 W/m 5.9 W/ft		24 W/m 7.3 W/ft	
SPECTRUM	KELVINS	4		9		14		19		24	
		lm/m	lm/ft	lm/m	lm/ft	lm/m	lm/ft	lm/m	lm/ft	lm/m	lm/ft
822	2200K	635	193	1210	368	1719	522	2239	681	2715	825
827	2700K	635	193	1210	368	1719	522	2239	681	2715	825
830	3000K	673	205	1283	390	1823	554	2375	722	2880	875
835	3500K	712	216	1356	412	1928	586	2511	763	3045	926
840	4000K	750	228	1430	435	2032	618	2647	805	3210	976
850	5000K	789	240	1501	456	2136	649	2783	846	3375	1026
857	5700K	789	240	1501	456	2136	649	2783	846	3375	1026
865	6500K	789	240	1501	456	2136	649	2783	846	3375	1026
EFFICACY		164 lm/W		156 lm/W		148 lm/W		145 lm/W		141 lm/W	



CRI 90+		POWER									
		4,8 W/m 1.5 W/ft		9,6 W/m 2.9 W/ft		14,4 W/m 4.4 W/ft		19,2 W/m 5.9 W/ft		24 W/m 7.3 W/ft	
SPECTRUM	KELVINS	4		9		14		19		24	
		lm/m	lm/ft	lm/m	lm/ft	lm/m	lm/ft	lm/m	lm/ft	lm/m	lm/ft
922	2200K	482	147	942	286	1356	412	1789	544	2188	665
927	2700K	518	157	1012	308	1457	443	1919	583	2351	715
930	3000K	554	168	1082	329	1558	474	2052	624	2510	763
935	3500K	590	179	1152	350	1659	504	2185	664	2673	812
940	4000K	626	190	1222	371	1760	535	2318	705	2836	862
950	5000K	626	190	1222	371	1760	535	2318	705	2836	862
957	5700K	626	190	1222	371	1760	535	2318	705	2836	862
965	6500K	626	190	1222	371	1760	535	2318	705	2836	862
EFFICACY		130 lm/W		127 lm/W		122 lm/W		121 lm/W		118 lm/W	

Possible allowed deviation of optical and electrical values are ±15%. Allowed measurement uncertainty ±7%. All values in datasheet are for reference only and customers should take these values on their own risk. Holectron reserves the right for changes without prior notice.

LUMEN VALUES OF LED STRIPS

FL-112/N3 - WHITE LIGHT

		POWER									
		4,8 W/m 1.5 W/ft		9,6 W/m 2.9 W/ft		14,4 W/m 4.4 W/ft		19,2 W/m 5.9 W/ft		24 W/m 7.3 W/ft	
SPECTRUM	KELVINS	4		9		14		19		24	
		lm/m	lm/ft	lm/m	lm/ft	lm/m	lm/ft	lm/m	lm/ft	lm/m	lm/ft
820	2000K	506	154	1022	312	1516	462	2035	620	2509	765
822	2200K	548	167	1106	337	1641	500	2202	671	2715	828
825	2500K	600	183	1211	369	1796	547	2410	735	2972	906
827	2700K	702	214	1416	432	2101	640	2819	859	3476	1059
830	3000K	722	220	1458	444	2163	659	2902	885	3579	1091
835	3500K	739	225	1492	455	2213	675	2969	905	3662	1116
840	4000K	741	226	1496	456	2219	676	2978	908	3672	1119
850	5000K	816	249	1598	487	2329	710	3095	943	3804	1159
857	5700K	787	240	1542	470	2247	685	2986	910	3670	1119
865	6500K	787	240	1542	470	2247	685	2986	910	3670	1119
EFFICACY		170 lm/W		166 lm/W		162 lm/W		161 lm/W		159 lm/W	



		POWER									
		4,8 W/m 1.5 W/ft		9,6 W/m 2.9 W/ft		14,4 W/m 4.4 W/ft		19,2 W/m 5.9 W/ft		24 W/m 7.3 W/ft	
SPECTRUM	KELVINS	4		9		14		19		24	
		lm/m	lm/ft	lm/m	lm/ft	lm/m	lm/ft	lm/m	lm/ft	lm/m	lm/ft
920	2000K	438	134	856	261	1244	379	1648	502	2020	616
922	2200K	474	144	926	282	1346	410	1783	543	2158	658
925	2500K	514	157	1005	306	1460	445	1934	589	2370	722
927	2700K	584	178	1155	351	1691	514	2250	684	2762	840
930	3000K	597	181	1181	359	1729	526	2300	699	2823	858
935	3500K	613	186	1212	368	1773	539	2359	717	2896	880
940	4000K	624	190	1233	375	1805	549	2401	730	2947	896
950	5000K	665	202	1312	399	1917	583	2547	774	3122	949
957	5700K	661	201	1303	396	1904	579	2530	769	3102	943
965	6500K	657	200	1295	394	1892	575	2513	764	3081	936
EFFICACY		139 lm/W		137 lm/W		133 lm/W		133 lm/W		130 lm/W	

		POWER									
		4,8 W/m 1.5 W/ft		9,6 W/m 2.9 W/ft		14,4 W/m 4.4 W/ft		19,2 W/m 5.9 W/ft		24 W/m 7.3 W/ft	
SPECTRUM	KELVINS	4		9		14		19		24	
		lm/m	lm/ft	lm/m	lm/ft	lm/m	lm/ft	lm/m	lm/ft	lm/m	lm/ft
027	2700K	507	154	994	302	1445	439	1915	582	2345	713
030	3000K	518	157	1015	309	1477	449	1957	595	2396	728
035	3500K	529	161	1037	315	1509	459	1999	608	2448	744
040	4000K	536	163	1050	319	1528	464	2024	615	2478	753
050	5000K	573	174	1124	342	1637	498	2173	660	2667	811
EFFICACY		119 lm/W		117 lm/W		114 lm/W		113 lm/W		111 lm/W	

Possible allowed deviation of optical and electrical values are ±15%. Allowed measurement uncertainty ±7%. All values in datasheet are for reference only and customers should take these values on their own risk. Holectron reserves the right for changes without prior notice.

LUMEN VALUES OF LED STRIPS

TW-70/N3 - TUNABLE WHITE LIGHT

		POWER							
		9,6 W/m 2.9 W/ft		14,4 W/m 4.4 W/ft		19,2 W/m 5.9 W/ft		24 W/m	
SPECTRUM	KELVINS	9		14		19		24	
		lm/m	lm/ft	lm/m	lm/ft	lm/m	lm/ft	lm/m	
820/865	2000-6500K	1282	391	-	-	2522	769	-	
825/857	2500-5700K	1375	419	-	-	2710	826	-	
827/857	2700-5700K	1477	450	-	-	2915	888	-	
827/850	2700-5000K	1505	459	-	-	2970	905	-	
EFFICACY		157 lm/W				155 lm/W			



		POWER							
		9,6 W/m 2.9 W/ft		14,4 W/m 4.4 W/ft		19,2 W/m 5.9 W/ft		24 W/m	
SPECTRUM	KELVINS	9		14		19		24	
		lm/m	lm/ft	lm/m	lm/ft	lm/m	lm/ft	lm/m	
920/965	2000-6500K	1110	338	-	-	2160	658	-	
925/957	2500-5700K	1190	363	-	-	2313	705	-	
927/950	2700-5000K	1301	397	-	-	2537	773	-	
EFFICACY		136 lm/W				132 lm/W			

		POWER							
		9,6 W/m 2.9 W/ft		14,4 W/m 4.4 W/ft		19,2 W/m 5.9 W/ft		24 W/m	
SPECTRUM	KELVINS	9		14		19		24	
		lm/m	lm/ft	lm/m	lm/ft	lm/m	lm/ft	lm/m	
027/040	2700-4000K	1088	332	-	-	2022	616	-	
027/050	2700-5000K	1128	344	-	-	2103	641	-	
EFFICACY		118 lm/W				110 lm/W			

TW-70/D3 - TUNABLE WHITE LIGHT

		POWER							
		9,6 W/m 2.9 W/ft		14,4 W/m 4.4 W/ft		19,2 W/m 5.9 W/ft		24 W/m	
SPECTRUM	KELVINS	9		14		19		24	
		lm/m	lm/ft	lm/m	lm/ft	lm/m	lm/ft	lm/m	
827/840	2700-4000K	1297	395	-	-	2453	748	-	
827/850	2700-5700K	1309	399	-	-	2463	751	-	
827/857	2700-5700K	1304	397	-	-	2454	748	-	
827/865	2700-6500K	1296	395	-	-	2449	746	-	
EFFICACY		136 lm/W				128 lm/W			



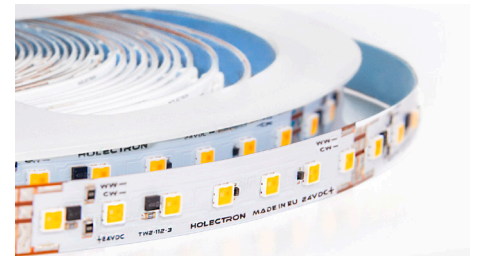
		POWER							
		9,6 W/m 2.9 W/ft		14,4 W/m 4.4 W/ft		19,2 W/m 5.9 W/ft		24 W/m	
SPECTRUM	KELVINS	9		14		19		24	
		lm/m	lm/ft	lm/m	lm/ft	lm/m	lm/ft	lm/m	
927/940	2700-4000K	1110	338	-	-	2090	637	-	
927/950	2700-5700K	1107	337	-	-	2085	636	-	
927/957	2700-5700K	1131	345	-	-	2130	649	-	
927/965	2700-6500K	1131	345	-	-	2130	649	-	
EFFICACY		118 lm/W				111 lm/W			

Possible allowed deviation of optical and electrical values are ±15%. Allowed measurement uncertainty ±7%. All values in datasheet are for reference only and customers should take these values on their own risk. Holectron reserves the right for changes without prior notice.

LUMEN VALUES OF LED STRIPS

TW2-112/N3 - TUNABLE DUAL WHITE LIGHT

CRI 80+		POWER							
		9,6 W/m 2.9 W/ft		14,4 W/m 4.4 W/ft		19,2 W/m 5.9 W/ft		24 W/m 7.3 W/ft	
SPECTRUM	KELVINS	9		14		19		24	
		lm/m	lm/ft	lm/m	lm/ft	lm/m	lm/ft	lm/m	lm/ft
827/865	2700-6500K	1377	419	-	-	2688	817	-	-
	EFFICACY	143 Lm/W				140 Lm/W			



TW2-56/N3 - TUNABLE DUAL WHITE LIGHT

CRI 80+		POWER							
		9,6 W/m 2.9 W/ft		14,4 W/m 4.4 W/ft		19,2 W/m 5.9 W/ft		24 W/m 7.3 W/ft	
SPECTRUM	KELVINS	9		14		19		24	
		lm/m	lm/ft	lm/m	lm/ft	lm/m	lm/ft	lm/m	lm/ft
827/865	2700-6500K	1360	413	-	-	2631	800	-	-
	EFFICACY	142 Lm/W				137 Lm/W			

Possible allowed deviation of optical and electrical values are ±15%. Allowed measurement uncertainty ±7%. All values in datasheet are for reference only and customers should take these values on their own risk. Holectron reserves the right for changes without prior notice.

LUMEN VALUES OF LED STRIPS

RGB-48/N3 - RGB LIGHT

RGB	POWER							
	8,6 W/m 2.6 W/ft		14,4 W/m 4.4 W/ft		17,3 W/m 5.3 W/ft		24 W/m 7.3 W/ft	
COLOR	8		14		17		24	
	lm/m	lm/ft	lm/m	lm/ft	lm/m	lm/ft	lm/m	lm/ft
RED	55	17	92	28	-	-	-	-
GREEN	189	58	315	96	-	-	-	-
BLUE	40	12	67	20	-	-	-	-
TOTAL RGB LUMINOUS FLUX	284	87	474	144	-	-	-	-
EFFICACY	33 lm/W		33 lm/W					



RGB-96/N3 - RGB LIGHT

RGB	POWER							
	8,6 W/m 2.6 W/ft		14,4 W/m 4.4 W/ft		17,3 W/m 5.3 W/ft		24 W/m	
COLOR	8		14		17		24	
	lm/m	lm/ft	lm/m	lm/ft	lm/m	lm/ft	lm/m	lm/ft
RED	-	-	-	-	110	34	-	-
GREEN	-	-	-	-	378	115	-	-
BLUE	-	-	-	-	80	24	-	-
TOTAL RGB LUMINOUS FLUX	-	-	-	-	568	173	-	-



RGBW-48/N3 - RGBW LIGHT

RGBW	POWER							
	8,6 W/m 2.6 W/ft		14,4 W/m 4.4 W/ft		19,2 W/m 5.9 W/ft		24 W/m 7.3 W/ft	
COLOR	8		14		19		24	
	lm/m	lm/ft	lm/m	lm/ft	lm/m	lm/ft	lm/m	lm/ft
RED	-	-	55	14	92	28	92	28
GREEN	-	-	189	49	315	96	315	96
BLUE	-	-	40	10	67	20	67	20
TOTAL RGB LUMINOUS FLUX	-	-	284	74	474	144	474	144
EFFICACY			20 lm/W		25 lm/W		20 lm/W	



CRI 80+	SPECTRUM	KELVINS	POWER									
			4,8 W/m 1.5 W/ft		9,6 W/m 2.9 W/ft		14,4 W/m 4.4 W/ft		19,2 W/m 5.9 W/ft		24 W/m 7.3 W/ft	
			4		9		14		19		24	
			lm/m	lm/ft	lm/m	lm/ft	lm/m	lm/ft	lm/m	lm/ft	lm/m	lm/ft
	822	2200K	-	-	515	157	426	130	796	243	-	-
	825	2500K	-	-	572	174	474	144	881	269	-	-
	827	2700K	-	-	647	197	543	166	1021	311	-	-
	830	3000K	-	-	647	197	543	166	1021	311	-	-
	835	3500K	-	-	647	197	543	166	1021	311	-	-
	840	4000K	-	-	702	214	589	180	1108	338	-	-
	850	5000K	-	-	702	214	589	180	1108	338	-	-
	865	6500K	-	-	702	214	589	180	1108	338	-	-
	EFFICACY				49 lm/W		31 lm/W		46 lm/W			

CRI 90+	SPECTRUM	KELVINS	POWER									
			4,8 W/m 1.5 W/ft		9,6 W/m 2.9 W/ft		14,4 W/m 4.4 W/ft		19,2 W/m 5.9 W/ft		24 W/m 7.3 W/ft	
			4		9		14		19		24	
			lm/m	lm/ft	lm/m	lm/ft	lm/m	lm/ft	lm/m	lm/ft	lm/m	lm/ft
	922	2200K	-	-	499	152	359	109	673	205	-	-
	927	2700K	-	-	499	152	383	117	719	219	-	-
	930	3000K	-	-	533	162	390	119	726	221	-	-
	935	3500K	-	-	540	165	399	122	740	226	-	-
	940	4000K	-	-	551	168	420	128	790	241	-	-
	950	5000K	-	-	564	172	446	136	835	255	-	-
	965	6500K	-	-	552	168	422	129	789	240	-	-
	EFFICACY				39 lm/W		23 lm/W		35 lm/W			

Possible allowed deviation of optical and electrical values are ±15%. Allowed measurement uncertainty ±7%. All values in datasheet are for reference only and customers should take these values on their own risk. Holectron reserves the right for changes without prior notice.

POWER CONSUMPTION PER FIXTURE LENGTH

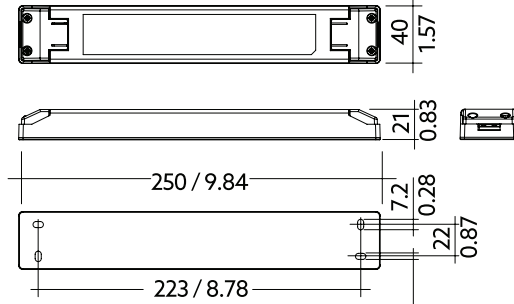
		4,8 W/m	1.5 W/ft	9,6 W/m	2.9 W/ft	14,4 W/m	4.4 W/ft	17,3 W/m	5.3 W/ft	19,2 W/m	5.9 W/ft	24 W/m	7.3 W/ft
LENGTH		4		9		14		17		19		24	
4.9"	125 mm	0.6 W		1.2 W		1.8 W		2.2 W		2.4 W		3.0 W	
7.4"	188 mm	0.9 W		1.8 W		2.7 W		3.3 W		3.6 W		4.5 W	
9.8"	250 mm	1.2 W		2.4 W		3.6 W		4.3 W		4.8 W		6.0 W	
1'	313 mm	1.5 W		3.0 W		4.5 W		5.4 W		6.0 W		7.5 W	
1' 2"	375 mm	1.8 W		3.6 W		5.4 W		6.5 W		7.2 W		9.0 W	
1' 5"	438 mm	2.1 W		4.2 W		6.3 W		7.6 W		8.4 W		10.5 W	
1' 7"	500 mm	2.4 W		4.8 W		7.2 W		8.7 W		9.6 W		12.0 W	
1' 10"	563 mm	2.7 W		5.4 W		8.1 W		9.7 W		10.8 W		13.5 W	
2'	625 mm	3.0 W		6.0 W		9.0 W		10.8 W		12.0 W		15.0 W	
2' 3"	688 mm	3.3 W		6.6 W		9.9 W		11.9 W		13.2 W		16.5 W	
2' 5"	750 mm	3.6 W		7.2 W		10.8 W		13.0 W		14.4 W		18.0 W	
2' 8"	813 mm	3.9 W		7.8 W		11.7 W		14.1 W		15.6 W		19.5 W	
2' 10"	875 mm	4.2 W		8.4 W		12.6 W		15.1 W		16.8 W		21.0 W	
3'	938 mm	4.5 W		9.0 W		13.5 W		16.2 W		18.0 W		22.5 W	
3' 3"	1000 mm	4.8 W		9.6 W		14.4 W		17.3 W		19.2 W		24.0 W	
3' 5"	1063 mm	5.1 W		10.2 W		15.3 W		18.4 W		20.4 W		25.5 W	
3' 8"	1125 mm	5.4 W		10.8 W		16.2 W		19.5 W		21.6 W		27.0 W	
3' 10"	1188 mm	5.7 W		11.4 W		17.1 W		20.6 W		22.8 W		28.5 W	
4' 1"	1250 mm	6.0 W		12.0 W		18.0 W		21.6 W		24.0 W		30.0 W	
4' 3"	1313 mm	6.3 W		12.6 W		18.9 W		22.7 W		25.2 W		31.5 W	
4' 6"	1375 mm	6.6 W		13.2 W		19.8 W		23.8 W		26.4 W		33.0 W	
4' 8"	1438 mm	6.9 W		13.8 W		20.7 W		24.9 W		27.6 W		34.5 W	
4' 11"	1500 mm	7.2 W		14.4 W		21.6 W		26.0 W		28.8 W		36.0 W	
5' 1"	1563 mm	7.5 W		15.0 W		22.5 W		27.0 W		30.0 W		37.5 W	
5' 4"	1625 mm	7.8 W		15.6 W		23.4 W		28.1 W		31.2 W		39.0 W	
5' 6"	1688 mm	8.1 W		16.2 W		24.3 W		29.2 W		32.4 W		40.5 W	
5' 9"	1750 mm	8.4 W		16.8 W		25.2 W		30.3 W		33.6 W		42.0 W	
5' 11"	1813 mm	8.7 W		17.4 W		26.1 W		31.4 W		34.8 W		43.5 W	
6' 2"	1875 mm	9.0 W		18.0 W		27.0 W		32.4 W		36.0 W		45.0 W	
6' 4"	1938 mm	9.3 W		18.6 W		27.9 W		33.5 W		37.2 W		46.5 W	
6' 6"	2000 mm	9.6 W		19.2 W		28.8 W		34.6 W		38.4 W		48.0 W	
6' 9"	2063 mm	9.9 W		19.8 W		29.7 W		35.7 W		39.6 W		49.5 W	
6' 11"	2125 mm	10.2 W		20.4 W		30.6 W		36.8 W		40.8 W		51.0 W	
7' 2"	2188 mm	10.5 W		21.0 W		31.5 W		37.9 W		42.0 W		52.5 W	
7' 4"	2250 mm	10.8 W		21.6 W		32.4 W		38.9 W		43.2 W		54.0 W	
7' 7"	2313 mm	11.1 W		22.2 W		33.3 W		40.0 W		44.4 W		55.5 W	
7' 9"	2375 mm	11.4 W		22.8 W		34.2 W		41.1 W		45.6 W		57.0 W	
7' 11"	2438 mm	11.7 W		23.4 W		35.1 W		42.2 W		46.8 W		58.5 W	
8' 2"	2500 mm	12.0 W		24.0 W		36.0 W		43.3 W		48.0 W		60.0 W	
8' 5"	2563 mm	12.3 W		24.6 W		36.9 W		44.3 W		49.2 W		61.5 W	
8' 7"	2625 mm	12.6 W		25.2 W		37.8 W		45.4 W		50.4 W		63.0 W	
8' 10"	2688 mm	12.9 W		25.8 W		38.7 W		46.5 W		51.6 W		64.5 W	
9'	2750 mm	13.2 W		26.4 W		39.6 W		47.6 W		52.8 W		66.0 W	
9' 2"	2813 mm	13.5 W		27.0 W		40.5 W		48.7 W		54.0 W		67.5 W	
9' 5"	2875 mm	13.8 W		27.6 W		41.4 W		49.7 W		55.2 W		69.0 W	
9' 7"	2938 mm	14.1 W		28.2 W		42.3 W		50.8 W		56.4 W		70.5 W	
9' 10"	3000 mm	14.4 W		28.8 W		43.2 W		51.9 W		57.6 W		72.0 W	

Possible allowed deviation of optical and electrical values are ±15%. Allowed measurement uncertainty ±7%. All values in datasheet are for reference only and customers should take these values on their own risk. Holectron reserves the right for changes without prior notice.

POWER SUPPLIES

POWER SUPPLY 60W 24V

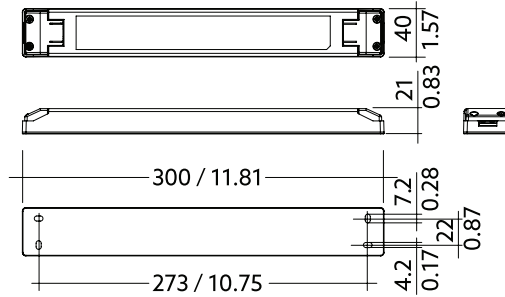
for indoor use only



Order code	PSU TR 60W 24V 5Y IP20 UL
Rated supply voltage	100-277 V 50/60 Hz
AC voltage range	90 - 305 V
Output voltage	24 V DC
Output power	60 W
Dimming	non-dimmable
IP class	IP20

POWER SUPPLY 96W 24V

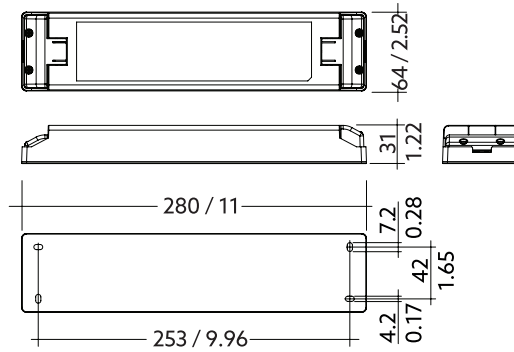
for indoor use only



Order code	PSU TR 96W 24V 5Y IP20 UL
Rated supply voltage	120-277 V 50/60 Hz
AC voltage range	108 - 305 V
Output voltage	24 V DC
Output power	96 W
Dimming	non-dimmable
IP class	IP20

POWER SUPPLY 180W 24V

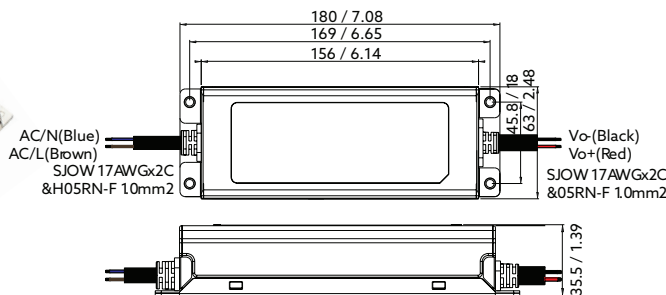
for indoor use only



Order code	PSU TR 180W 24V 5Y IP20 UL
Rated supply voltage	120-277 V 50/60 Hz
AC voltage range	108 - 305 V
Output voltage	24 V DC
Output power	180 W
Dimming	non-dimmable
IP class	IP20

POWER SUPPLY 75W 24V IP67

for outdoor and indoor use

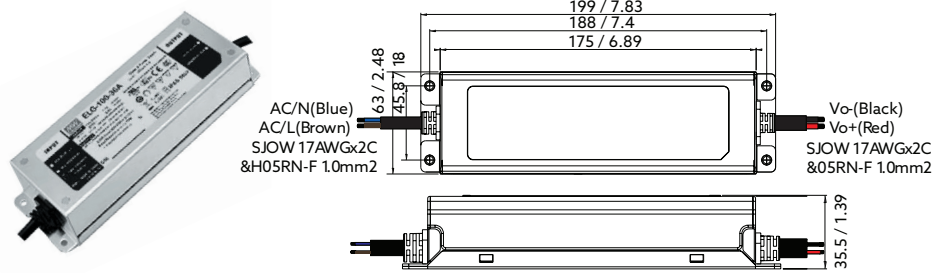


Order code	PSU MW ELG 75W 24V 5Y IP67 UL
Rated supply voltage	100-305 V 50/60 Hz
Output voltage	24 V DC
Output power	60 W (100-180 V AC) 75 W (200-305 V AC)
Dimming	non-dimmable
IP class	IP67

Possible allowed deviation of optical and electrical values are ±15%. Allowed measurement uncertainty ±7%. All values in datasheet are for reference only and customers should take these values on their own risk. Holectron reserves the right for changes without prior notice.

POWER SUPPLY 100W 24V IP67

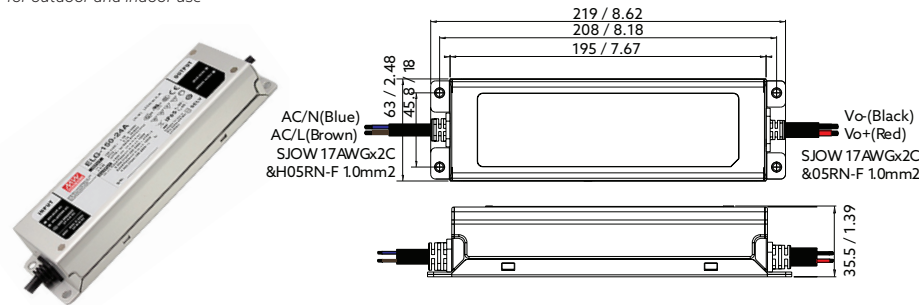
for outdoor and indoor use



Order code	PSU MW ELG 100W 24V 5Y IP67 UL
Rated supply voltage	100-305 V 50/60 Hz
Output voltage	24 V DC
Output power	70 W (100-180 V AC) 96 W (200-305 V AC)
Dimming	non-dimmable
IP class	IP67

POWER SUPPLY 150W 24V IP67

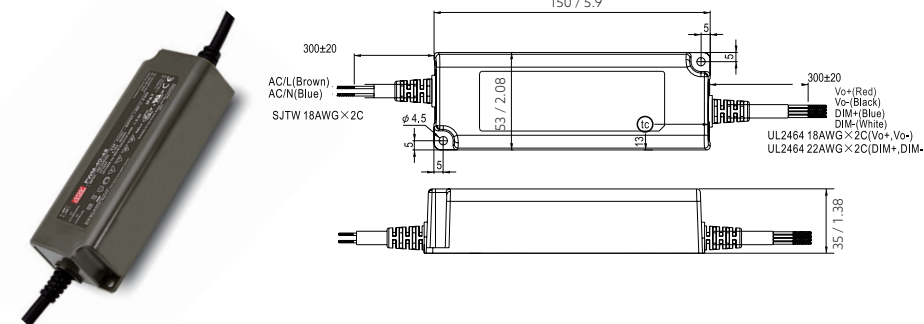
for outdoor and indoor use



Order code	PSU MW ELG 150W 24V 5Y IP67 UL
Rated supply voltage	100-305 V 50/60 Hz
Output voltage	24 V DC
Output power	105 W (100-180 V AC) 150 W (200-305 V AC)
Dimming	non-dimmable
IP class	IP67

POWER SUPPLY 40W 24V IP67 0-10V

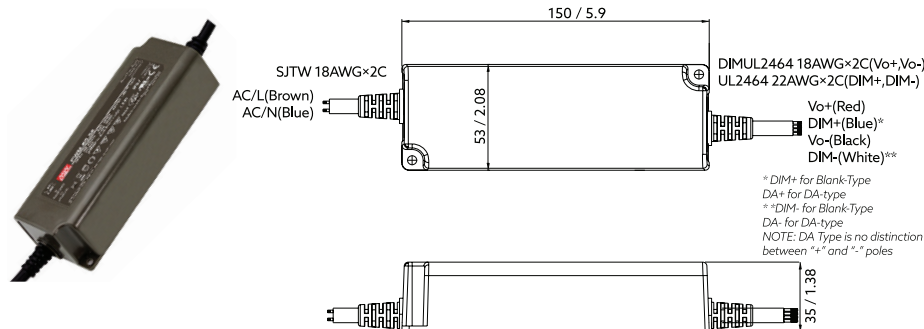
with 0-10V dimming for outdoor and indoor use



Order code	PSU MW PWM 40W 24V 5Y IP67 UL
Rated supply voltage	90-305 V 50/60 Hz
Output voltage	24 V DC
Output power	40 W
Dimming	0-10V
IP class	IP 67

POWER SUPPLY 60W 24V IP67 0-10V

with 0-10V / DALI dimming for outdoor and indoor use

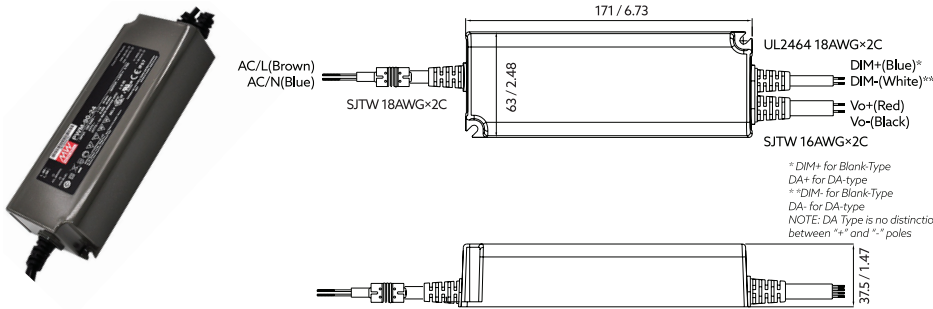


Order code	PSU MW PWM 60W 24V 5Y IP67 UL
Rated supply voltage	90-305 V 50/60 Hz
Output voltage	24 V DC
Output power	60 W
Dimming	0-10V / DALI
IP class	IP67

Possible allowed deviation of optical and electrical values are ±15%. Allowed measurement uncertainty ±7%. All values in datasheet are for reference only and customers should take these values on their own risk. Holectron reserves the right for changes without prior notice.

POWER SUPPLY 90W 24V IP67 0-10V

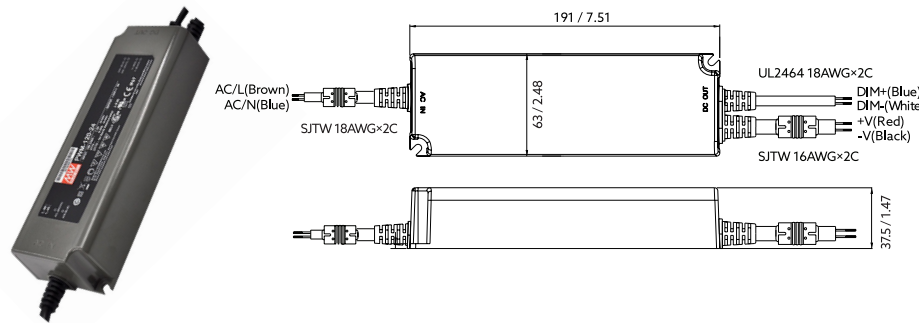
with 0-10V / DALI dimming for outdoor and indoor use



Order code	PSU MW PWM 90W 24V 5Y IP67 UL
Rated supply voltage	90-305 V 50/60 Hz
Output voltage	24 V DC
Output power	90 W
Dimming	0-10V / DALI
IP class	IP67

POWER SUPPLY 120W 24V IP67 0-10V

with 0-10V / DALI dimming for outdoor and indoor use

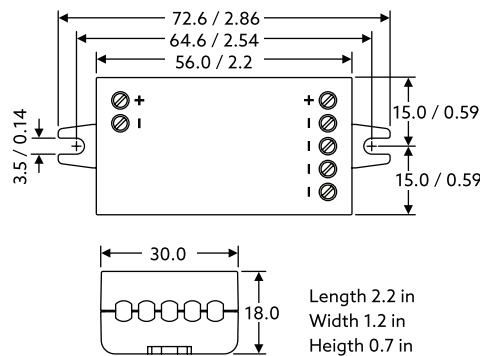


Order code	PSU MW PWM 120W 24V 5Y IP67 UL
Rated supply voltage	90-305 V 50/60 Hz
Output voltage	24 V DC
Output power	120 W
Dimming	0-10V / DALI
IP class	IP67

CONTROLLERS

WIRELESS BLUETOOTH

wireless controll using iOS or Android smartphones or tablets, for white, tunable white, RGB and RGB+W fixtures

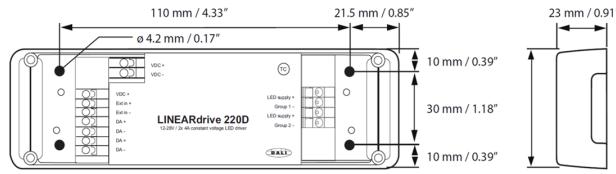


Order code	DIM-CA-BT/PWM4
Control type	Wireless Bluetooth BLE Control using iOS or Android phones or tablets
LED type	Single color, Tunable white, RGB, RGB+W
Input voltage	12-24 VDC
Input current max	6A or 4A (US and Canada)
Output voltage	Same as input voltage
Output current	6 A (can be freely divided between the channels) 4 A (US and Canada)
Dimming method	PWM
IP class	IP20

Possible allowed deviation of optical and electrical values are ±15%. Allowed measurement uncertainty ±7%. All values in datasheet are for reference only and customers should take these values on their own risk. Holectron reserves the right for changes without prior notice.

0-10V FOR TUNABLE WHITE

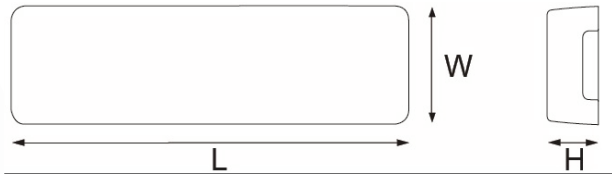
for tunable white fixtures



Order code	DIM EL 1-10V/TW
Control type	0-10V
LED type	Tunable white
Input voltage	12-24 VDC
Input current max	8 A, irrespective of PSU voltage
Output voltage	Same as input voltage
Output current	8 A maximum, irrespective of whether using one or both LED outputs
IP class	IP20

DMX/DALI FOR RGB+W

for white, tunable white, RGB and RGB+W fixtures

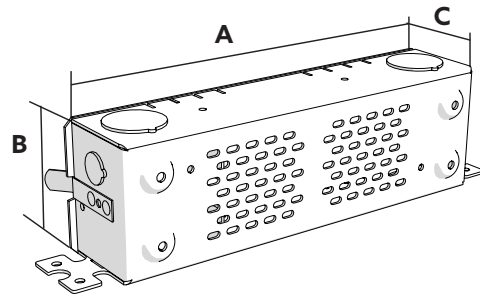


Length (L)	typical: 153 mm / 6.02 in
Width (W)	typical: 50 mm / 1.97 in
Height (H)	typical: 23 mm / 0.91 in
Weight	144 g

Order code	DIM EL DALI/RGBW
Control type	DMX and DALI
LED type	Single color, Tunable white, RGB, RGB+W
Input voltage	12-48 VDC
Input current max	24 A, irrespective of PSU voltage
Output voltage	Same as input voltage
Output current	RGBW @ 24V: 6A RGB @ 24V: 6A
IP class	IP20

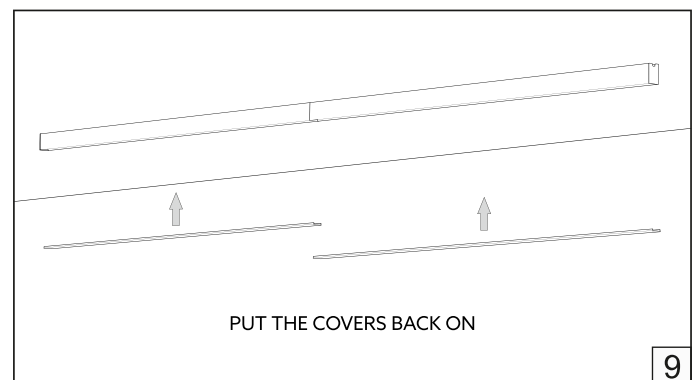
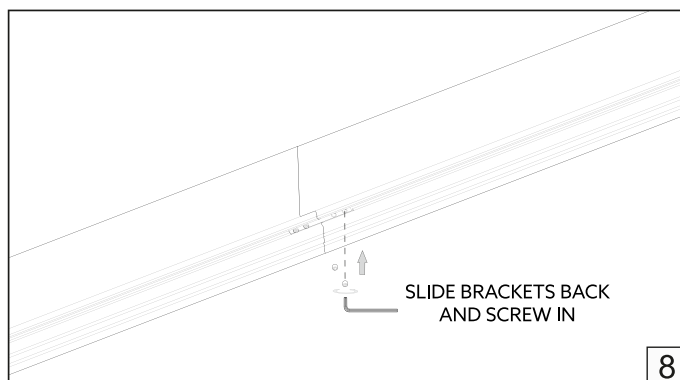
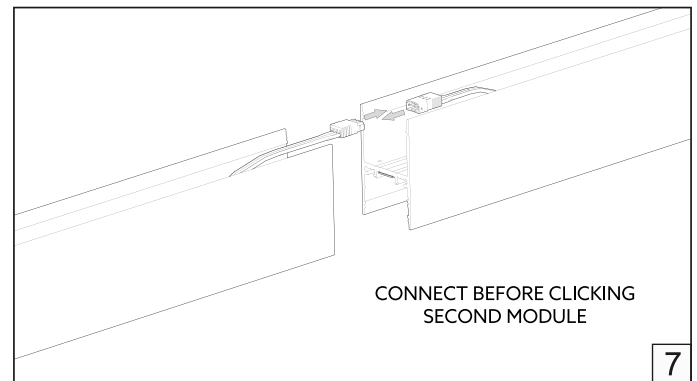
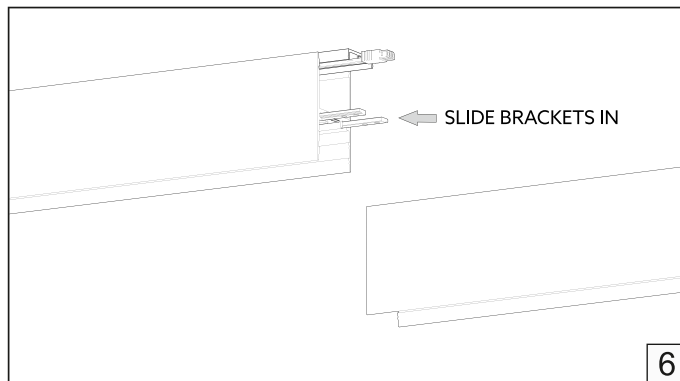
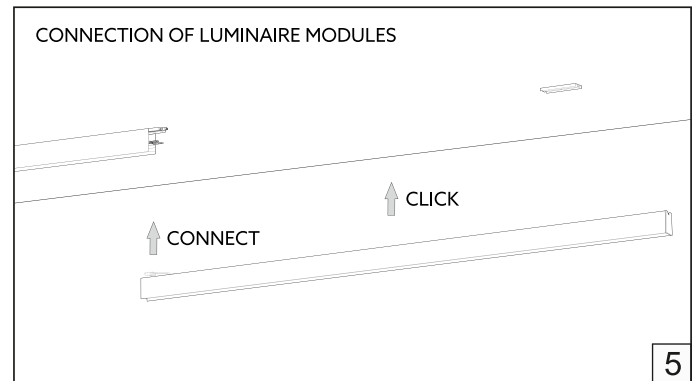
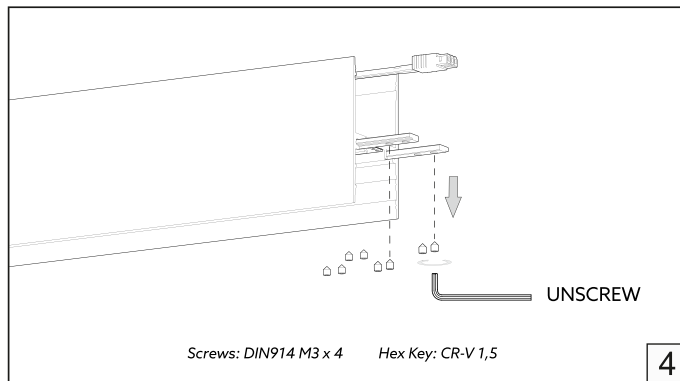
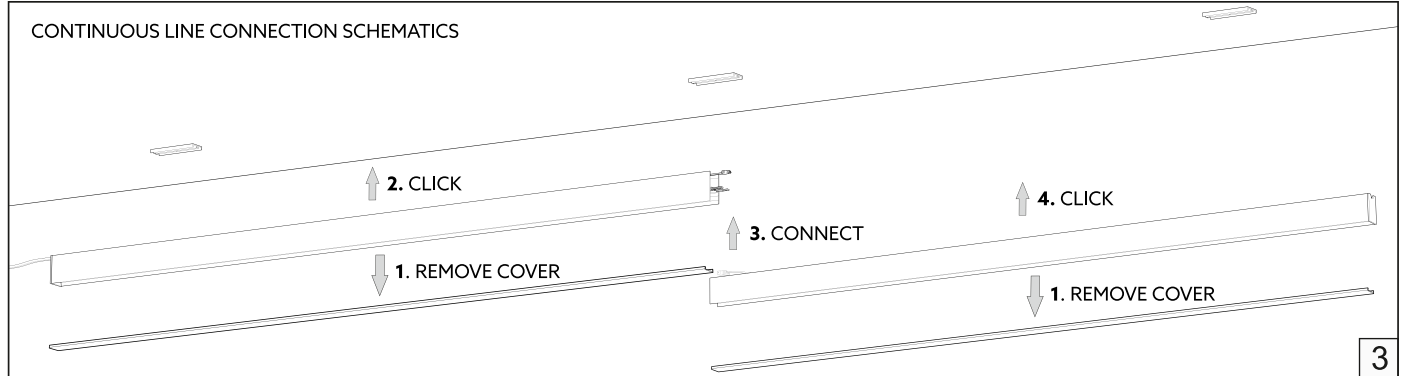
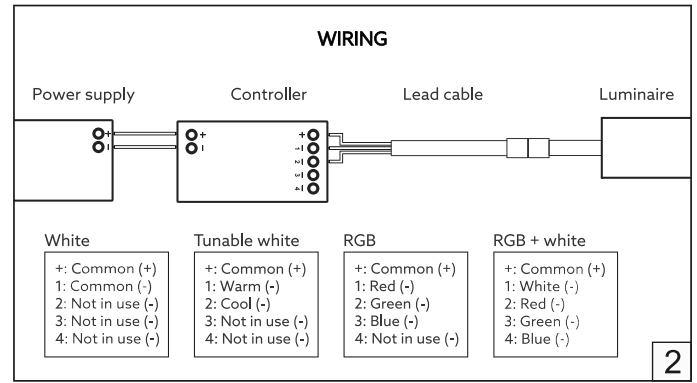
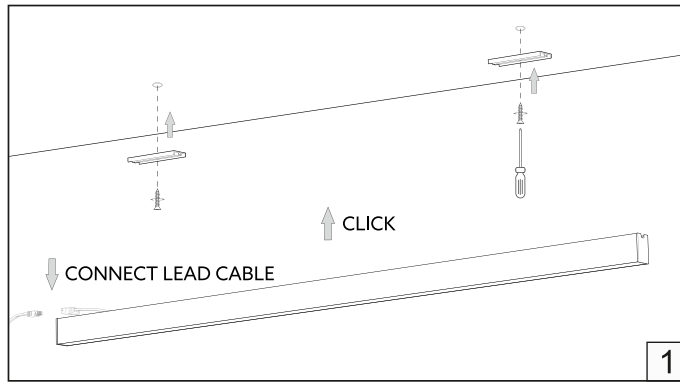
DRIVER ENCLOSURES

SIZE OPTIONS	A - LENGTH	C - HEIGHT	B - WIDTH
1	534 mm 21 inch	45 mm 1.7"	65 mm 2.6"
2	330 mm 13 inch	45 mm 1.7"	65 mm 2.6"



Possible allowed deviation of optical and electrical values are ±15%. Allowed measurement uncertainty ±7%. All values in datasheet are for reference only and customers should take these values on their own risk. Holectron reserves the right for changes without prior notice.

INSTALLATION GUIDE



SAFETY / WARNINGS / DISCLOSURES

1. Install in accordance with national and local electrical code regulations.
2. Do not modify or disassemble this product beyond instructions or the warranty will be void.
3. Our channels, covers, end caps, and mounting brackets are also suitable for outdoor use with some considerations. Please consult with local Holecron representative to pick right fixtures for outdoor use.
4. Indoor (IP20) fixtures should never be mounted in areas receiving direct sunlight and locations where they can be submerged under water or might get in direct contact with water or puddling (rainfall, sprinkler, spray, etc.).
5. Avoid leaving gaps in any of the end cap or cover mating edges to the channel that will allow excess dust, debris, or water/moisture to enter the channel enclosure.
6. Actual product color may vary from what is pictured on this sheet and other print materials due to the limitations of photographic processes.

7. We reserve the right to modify and improve the design of our fixtures without prior notice. We cannot guarantee to match existing installed fixtures for subsequent orders or replacements in regards to product appearance, CCT, or lumen output.

SAFETY / WARNINGS / DISCLOSURES

Limited Warranty

This product has a five (5) year limited warranty from the date of shipment. This warranty does not include the additional accessories referenced in this specification sheet. Complete warranty details for fixtures and additional accessories are available online [download here](#). For warranty related questions please contact product support.

CONSUMER'S ACKNOWLEDGMENT

Holecron stands behind its products when they are used properly and according to our specifications. By purchasing our products, the purchaser agrees and acknowledges that lighting design, configuration and installation is a complex process, wherein seemingly minor factors or changes in layout and infield adjustments can have a significant impact on an entire system. Choosing the correct components is essential. Holecron is able to work with the original purchaser to make an appropriate product selection to the extent of the limited information that the customer can provide, but it is virtually impossible for Holecron to design a system that foresees every unknown factor. For this reason, this Warranty does not cover problems caused by improper design, configuration or installation issues.

Any statement from a Holecron employee or agent regarding a customer's bill of goods and/or purchase order is NOT an acknowledgment that the

products purchased are designed and configured correctly. The purchase agrees and acknowledges that it is the customer's responsibility to adhere strictly to all information contained in the Product Specification Sheets. There is often more than one way to design, configure and layout an LED lighting application properly to achieve the same lighting effect.

Holecron strongly recommends that licensed professionals be used in the design and installation of lighting systems that include Holecron products. The specifications include important information that a designer and installer should carefully review and strictly follow. Qualified designers and certified and/or licensed installers, with access to the final installation environment, customer goals, and Holecron product specifications can make the requisite decisions appropriate for a successful finished lighting application.

HOLECTRON

HOLECTRON. All rights reserved.
Specifications are subject to change without notice.
Phone: +370 612 42446
email: info@holecron.com | www.holecron.com