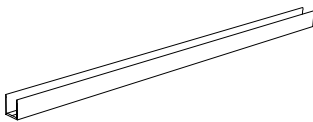




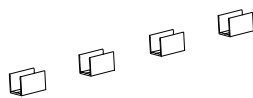
- Before installing **ON** Atlantis. Keep the strip **ON** for 15 min. until it becomes softer.
- Product installation must be carried out by a qualified professional.
- Before installing make sure, that electrical power is turned **OFF**.
- Before installing make sure, that the area can bear the total weight of the luminaire mounting.
- Pay attention to polarity when connecting (installing) the product.
- Do not operate if the luminaire has been damaged.
- To protect the surface from dirt and fingerprints, we recommend the use of protective gloves during installation.
- Product warranty does not cover any damage caused by faulty installation and/or misuse.
- For further information, please contact the manufacturer.

MOUNTING TYPES

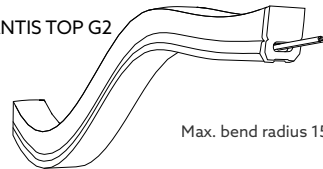
1. MOUNTING PROFILE



2. MOUNTING CLIPS

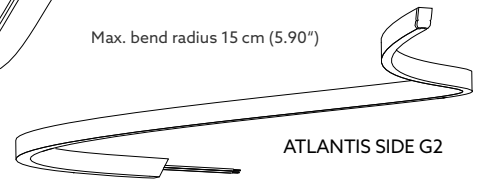


ATLANTIS TOP G2

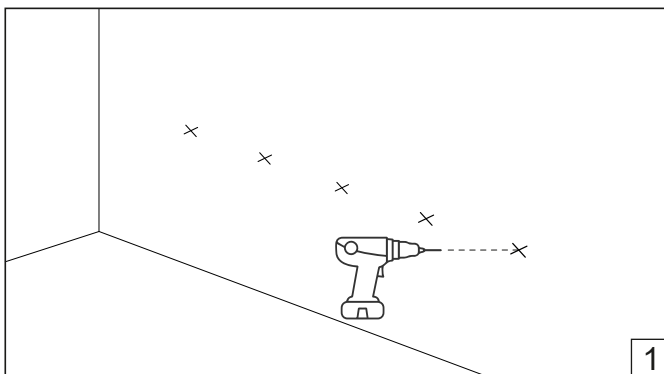


Max. bend radius 15 cm (5.90")

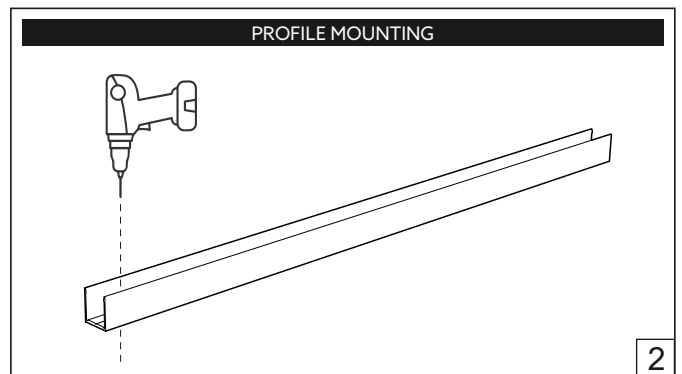
ATLANTIS SIDE G2



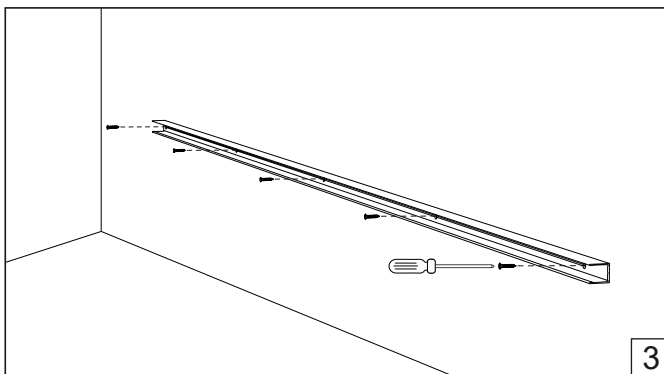
IMPORTANT Pay attention to correct bending direction of Atlantis G2 LED line type.



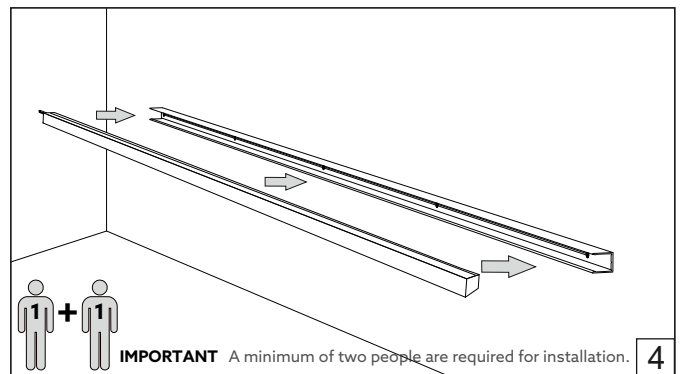
1



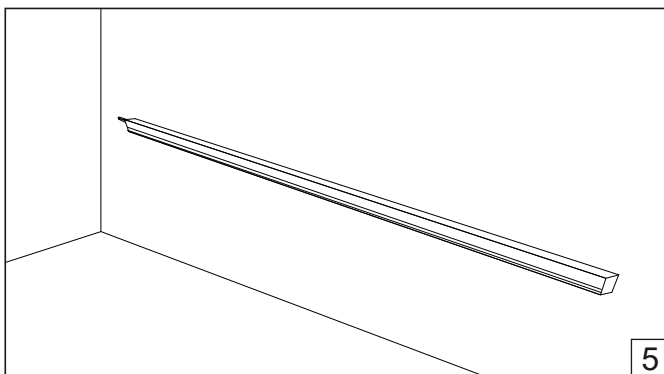
2



3

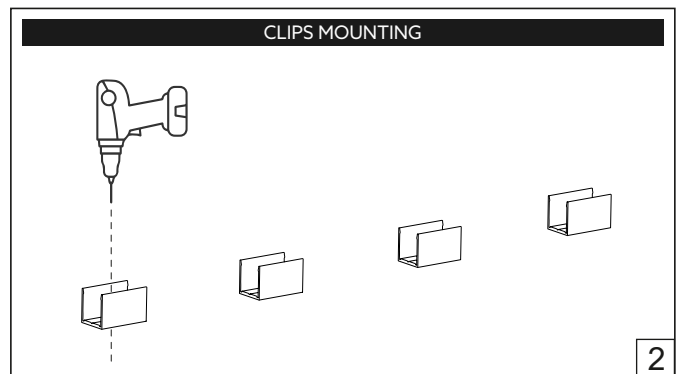


4



5

CLIPS MOUNTING



2

